



Project Name: _____

Location: _____

Item #: _____ Qty: _____

Model: _____

WATER FILTERS

MODEL: TLC-3200S TLC-107096 TLC-107097

Maxx Ice Water Filters are designed exclusively for ice machines to improve the quality of ice. Adding a water filter can help reduce scaling, improve ice clarity and taste. Proper filtration and cleaning can assist with routine maintenance of ice machines.

FEATURES

- Built-in scale inhibitor
- Gradient density carbon block filter
- Pressure gauge and relief valve
- Designed to minimize contamination during filter cartridge change outs

OPERATING PARAMETERS

Pressure:

TLC-3200S 24-125 psi (1.7-8.6 bar)

TLC-107096 24-125 psi (1.7-8.6 bar)

TLC-107097 24-125 psi (1.7-8.6 bar)

Temperature:

TLC-3200S 35° to 100°F (1.7° to 38°C)

TLC-107096 35° to 100°F (1.7° to 38°C)

TLC-107097 35° to 100°F (1.7° to 38°C)



TLC-107096



TLC-107097



TLC-3200S
Replacement Cartridge

3RD PARTY APPROVALS

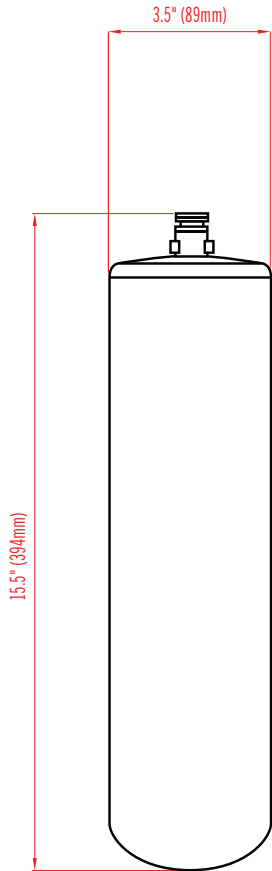


Tested to ANSI NSF 42

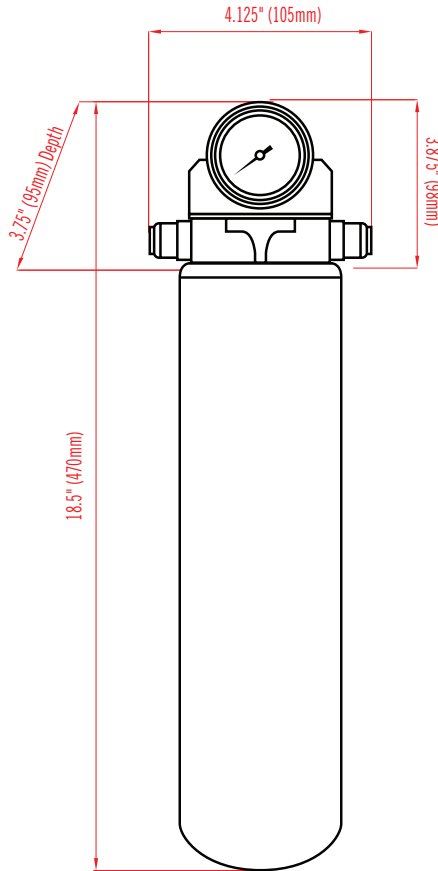


MAXX ICE WATER FILTERS

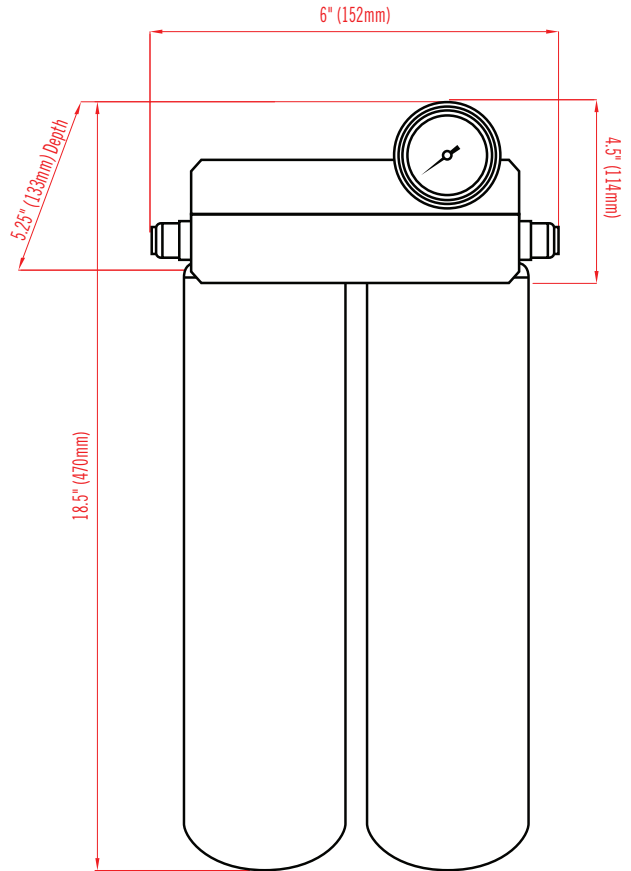
TLC-3200S



TLC-107096



TLC-107097



MODEL	EXTERNAL DIMENSIONS W x D x H	MAXIMUM SERVICE FLOW RATE	FILTER LIFE	MICRON RATING	UNIT WEIGHT
TLC-3200S Replacement Cartridge	3.5" x 3.5" x 15.5" (89 x 89 x 394 mm)	2.1 GPM	27,000 Gal (102,206 L) 6 Months	0.5	2.5 lb (1.13 kg)
TLC-107096 Single Head with Pressure Gauge	4.125" x 3.75" x 18.5" (105 x 95 x 470 mm)	2.1 GPM	27,000 Gal (102,206 L) 6 Months	0.5	2.75 lb (1.24 kg)
TLC-107097 Double Head with Pressure Gauge	6" x 5.25" x 18.5" (152 x 133 x 470 mm)	4.2 GPM	54,000 Gal (204,412 L) 6 Months	0.5	6.25 lb (2.83 kg)

INSTALLATION

- Designed to work with all Maxx Ice machines
- Cartridges should be replaced when flow rate becomes less than desirable for proper system operation or before rated capacity is reached
- It is recommended to change cartridges at least once annually to ensure optimal performance