



YOU CAN TRUST

## HIGH SPEED BLENDERS

### BQ1.5



### STANDARD FEATURES

Ideal to prepare juices, frozen, smoothies, frappés, milkshakes, ice creams, açai cream and lactose-free milk.

High performance 3hp motor and blades for faster and more efficient preparation. Less noise and more productivity for your business. We are proud to introduce the Quiet Blender with Sound enclosure.

The integrated noise reducer significantly minimizes sound, creating a quieter working environment.

This technology is operations, the ideal solution for front-of-the-house operations, resulting in a more enjoyable experience for customers.

Create delicious smoothies, drinks, soups, sauces, and creams, delivering high-quality results with a smooth and consistent texture. The Skyfood Blender with Sound enclosure is a durable and reliable choice.

Revolutionize your kitchen now!



**BLENDER WITH SOUND ENCLOSURE**



**TRITAN CUP**



**NOISE REDUCING ENCLOSURE**

**BQ1.5**  
50 oz Quiet Blender With Sound Enclosure

ILLUSTRATIVE PHOTO, ACTUAL PRODUCTS AND ACCESSORIES ARE SUBJECT TO CHANGE WITHOUT NOTICE.



**Skyfood Equipment LLC**  
175 SW 7th Street, Ste 2416  
Miami, FL 33130

**Toll Free:**  
1-800-503-7534  
sales@skyfood.us

[www.skyfood.us](http://www.skyfood.us)



Follow us to keep up to date with the latest news and offers

/SkyfoodEquipment

/SkyfoodEquipment

/SkyfoodEquipment



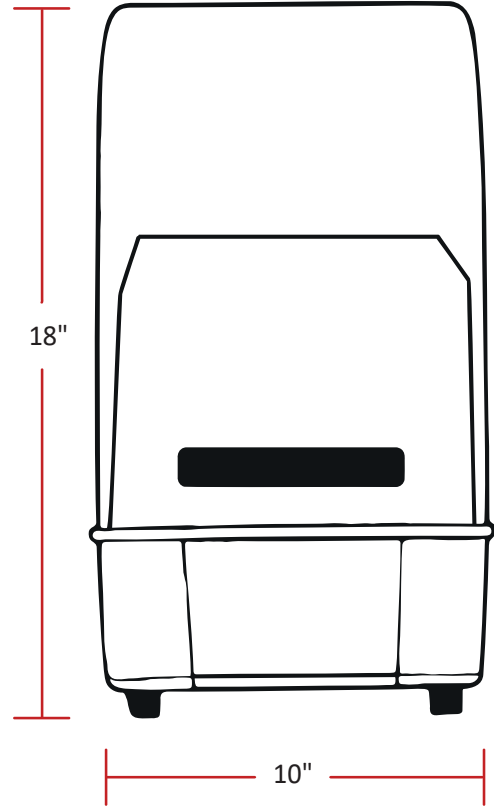
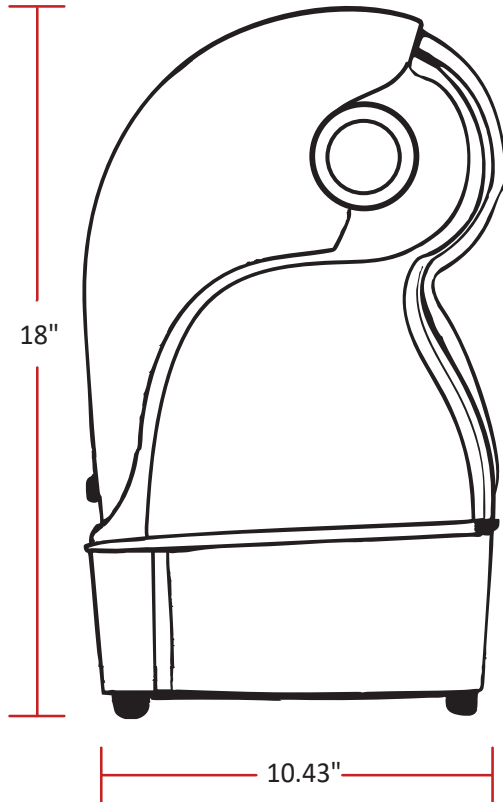
YOU CAN TRUST

# HIGH SPEED BLENDERS

## BQ1.5



### DIMENSIONS



**TRITAN CUP™**

Innovative material that combines the best characteristics of glass and plastic.

Ultra-resistant, free of Bisphenol A, does not release taste or smell and can be used with hot foods or cold drinks.



**CALIFORNIA RESIDENTS ONLY -**  
**WARNING:**  
 Cancer and Reproductive Harm -  
[www.P65Warnings.ca.gov](http://www.P65Warnings.ca.gov)



**MADE IN CHINA**



**PLUG**  
 NEMA 5-15P

**WARRANTY 02 YEAR PARTS AND LABOR  
 VALID IN THE CONTINENTAL UNITED STATES.**

Item	Electrical	Power Rating	Decibel Rate	Dimensions (W x D x H)	Shipping Dimensions (W x D x H)	Weight (Net x Ship)	Capacity	RPM	PLUG
BQ1.5	115V/60Hz	3 peak HP	83 dB	10" x 10.43" x 18"	13.7" x 19.4" x 23.2"	13 lb x 14.21 lb	50 oz. (1.5 liters)	38000	NEMA 5-15P



**Skyfood Equipment LLC**  
 175 SW 7th Street, Ste 2416  
 Miami, FL 33130

**Toll Free:**  
 1-800-503-7534  
[sales@skyfood.us](mailto:sales@skyfood.us)

[www.skyfood.us](http://www.skyfood.us)



Follow us to keep up to date with the latest news and offers

/SkyfoodEquipment

/SkyfoodEquipment

/SkyfoodEquipment

ILLUSTRATIVE PHOTO, ACTUAL PRODUCTS AND ACCESSORIES ARE SUBJECT TO CHANGE WITHOUT NOTICE.