

Item # \_\_\_\_\_

Qty # \_\_\_\_\_

Model # \_\_\_\_\_

Project # \_\_\_\_\_



**DUKERS**  
Quality Commercial Refrigeration



# GRIDDLE

## DCGM36



Oil Tray



### PRODUCT DESCRIPTION

- ✦ Stainless steel exterior and interior.
- 🔥 30,000 BTU Burners per 12" section with standby pilots.
- 🕒 Independent manual controls every 12".
- 🍳 Heavy duty 3/4" thick polished steel griddle plate.
- 📏 Each griddle is shipped with Standard Natural Gas, LP conversion kit.
- 📏 Adjustable, stainless steel legs standard.
- 🧼 Full length seamless drip pan, easy to remove and clean.



### HIGH QUALITY STAINLESS STEEL & ROBUST DESIGN

\* All measures are presented in Inches

GRIDDLE  
MODEL

DCGM36

DIMENSION

Width      Depth      Height

36 in      30 in      15 1/4 in



**DUKERS**

Los Angeles | San Francisco | Dallas  
Houston | Florida | Chicago | New Jersey

1-800-931-8628

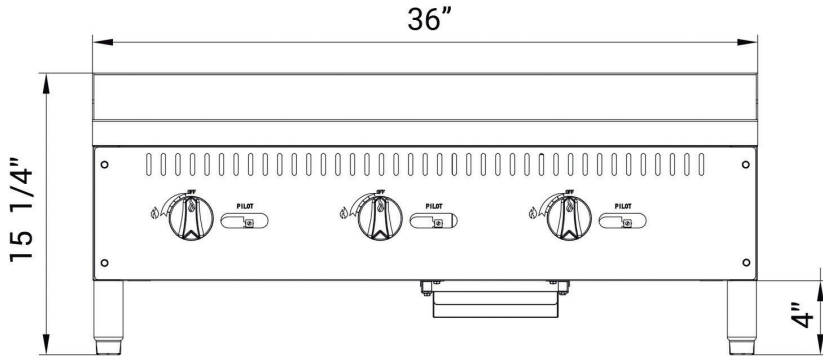
@ info@dukersusa.com

www.DukersUSA.com

# DETAILS & SPECIFICATIONS

## GRIDDLE DCGM36

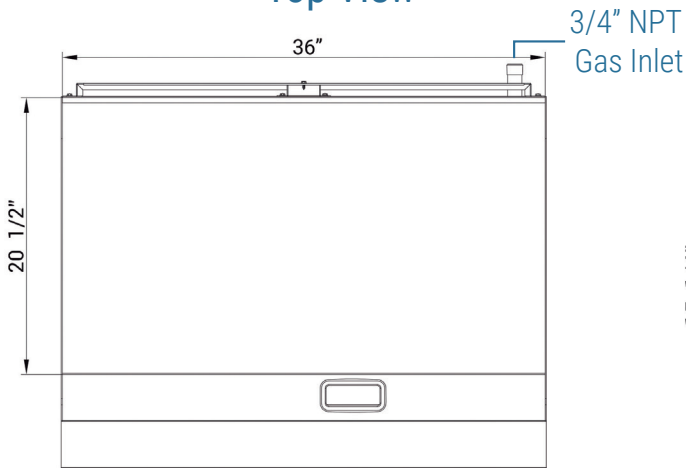
Front View



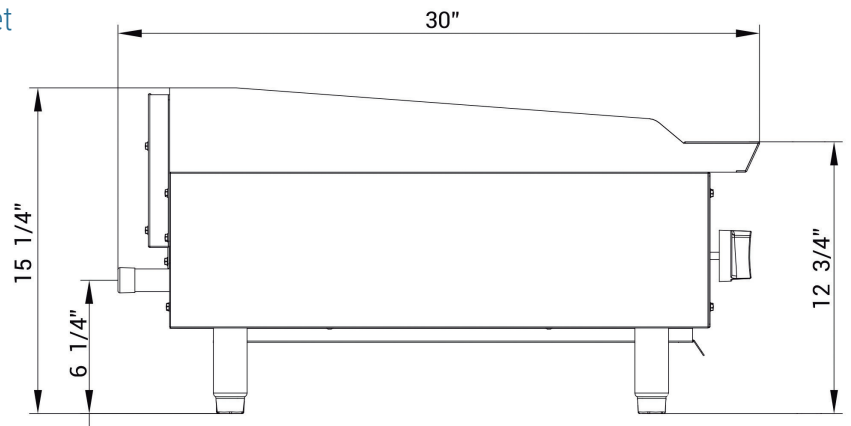
DCGM36

GAS SOURCE	NG/Propane
WORK AREA	35.86" x 20.50"
BURNER	3 count
SINGLE BURNER	30000 BTU/H
COMBINED	90000 BTU/H
GAS PRESSURE	NG: 4 "WC Propane: 10 "WC
NOZZLE	NG: 37# Propane: 51#
CONTAINER FITMENT	140

Top View



Side View



Model	Packaging Dimensions (inches)			Net Weight (lbs)	Ship Weight (lbs)
	W	D	H		
DCGM36	38 1/4"	32 5/8"	20 1/2"	244.71	275.5



Los Angeles | San Francisco | Dallas  
Houston | Florida | Chicago | New Jersey

1-800-931-8628

@ info@dukersusa.com

www.DukersUSA.com