



Profit from the Eagle Advantage®

# Specification Sheet

## Short Form Specifications

Eagle Enclosed Base Open Front Urn Stand, model \_\_\_\_\_. Top is 16/430 stainless steel, with heavy gauge stainless steel body and full depth stainless steel undershelf. Urn trough slopes to a 1" drain and furnished with a removable stainless steel louvered grate. 1 5/8" O.D. stainless steel tubular legs with adjustable stainless steel bullet feet.

Eagle Enclosed Base Urn Stand with Sliding Doors, model \_\_\_\_\_. Top is 16/430 stainless steel, with heavy gauge stainless steel body and full depth stainless steel undershelf. Stainless steel sliding doors on front with recessed handles. Urn trough slopes to a 1" drain and furnished with a removable stainless steel louvered grate. 1 5/8" O.D. stainless steel tubular legs with adjustable stainless steel bullet feet.



unit shown with sliding doors

### Options / Accessories\*\*

- Center shelf (add suffix "-CS")
- Overshelf
- Serving shelf
- Tray slide
- Tray shelf
- Casters
- Spec-Master® marine edge
- Decorative laminates

\*\* For more accessories, see Catalog Sheets #EG30.20A and EG30.20B

### EAGLE GROUP

100 Industrial Boulevard, Clayton, DE 19938-8903 USA  
Phone: 302-653-3000 • 800-441-8440 • Fax: 302-653-2065  
www.eaglegrp.com  
www.eaglegrpnews.com  
www.eaglemhc.com

For custom configuration or fabrication needs, contact our SpecFAB® Division.  
Phone: 302-653-3000 • Fax: 302-653-2065 • e-mail: quotes@eaglegrp.com

Item No.: \_\_\_\_\_  
 Project No.: \_\_\_\_\_  
 S.I.S. No.: \_\_\_\_\_

## Urn Stands—Enclosed Base

### MODELS:

- US30B
- US3CB
- US40B
- US4CB
- US50B
- US5CB

### Construction

- Top is constructed of 16 gauge type 430 series stainless steel with hat channel support.
- Table body is constructed of highly polished 20 gauge stainless steel.
- Legs are 1 5/8" (41mm) O.D. stainless steel tubing fitted with adjustable stainless steel bullet feet.
- Bottom shelf is full depth of unit and welded to outer wrapper.
- Urn trough is 4 3/4" (121mm) wide across top, sloped toward 1" (25mm) drain and complete with full length removable louvered grate.

### Sliding doors (when indicated)

- 22 gauge stainless steel construction, complete with recessed stainless steel handle.
- Doors sit within an exclusive rollerless track assembly, providing easier cleaning and lower maintenance.

### Certifications / Approvals



EG30.10 Rev. 02/23

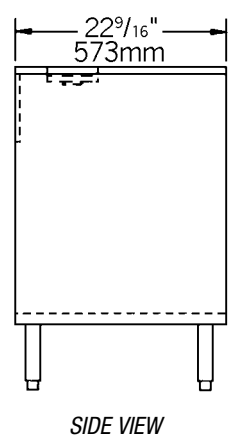
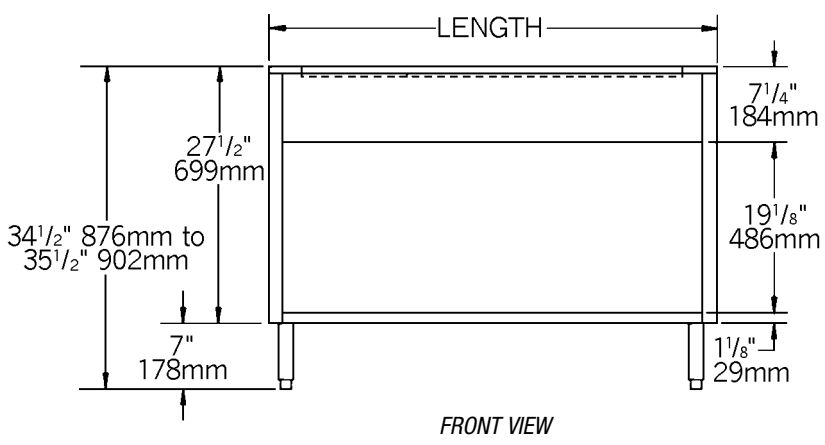
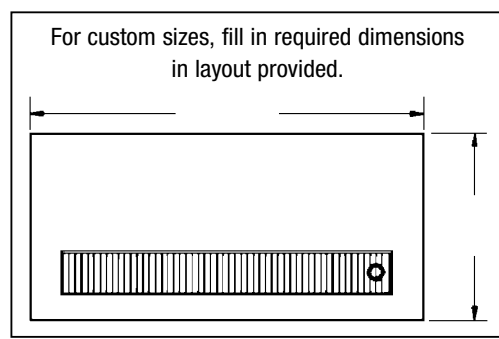
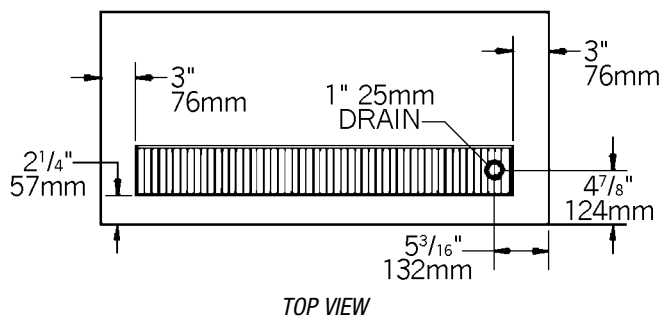
Spec sheets available for viewing, printing or downloading from our online literature library at our websites

Eagle Foodservice Equipment, Eagle MHC, and SpecFAB® are divisions of Eagle Group. ©2023 by the Eagle Group



Item No.: \_\_\_\_\_  
 Project No.: \_\_\_\_\_  
 S.I.S. No.: \_\_\_\_\_

## Urn Stands—Enclosed Base



WITH OPEN FRONT			WITH SLIDING DOORS				
model #	weight		model #	weight		length	
	lbs.	kg		lbs.	kg	in.	mm
US3OB	225	102.1	US3CB	233	105.7	48"	1219
US4OB	265	120.2	US4CB	274	124.3	63 1/2"	1613
US5OB	305	138.3	US5CB	315	142.9	79"	2007

All models available with casters. To order, add prefix "P" to model number. Example: PUS5OB  
 If urn trough is desired on rear side, add suffix "R" to model number. Example: US30BR

**EAGLE GROUP**  
 100 Industrial Boulevard, Clayton, DE 19938-8903 USA  
 Phone: 302-653-3000 or 800-441-8440 • Fax: 302-653-2065  
 www.eaglegrp.com • www.eaglegrpnews.com • www.eaglehmc.com

Printed in U.S.A.  
 ©2023 by Eagle Group  
 Rev. 02/23

Spec sheets available for viewing, printing or downloading from our online literature library at our websites

Although every attempt has been made to ensure the accuracy of the information provided, we cannot be held responsible for typographical or printing errors. Information and specifications are subject to change without notice. Please confirm at time of order.