



Profit from the Eagle Advantage®

# Specification Sheet

## Short Form Specifications

Eagle One-Compartment Utility Sinks, model \_\_\_\_\_ . Constructed of type 304 or 430 stainless steel with square corners, Euro-Style edging on front, and 8" backsplash. All partitions have 5/8" rolled top edge. Faucet holes punched on 8" centers. All outside corners to be bullnosed for clean, safe edges. 1 1/2" O.D. galvanized tubular legs with adjustable bullet feet.



one-compartment utility sink

### Options / Accessories

- Faucets
- Detachable drainboard \*
- Lever waste
- Lever waste with overflow
- Stainless steel legs
- Stainless steel feet

\* See Spec Sheet #EG20.13E for optional detachable drainboards.

### Design and Construction Features:

- For numerous applications when NSF approval is not required (For NSF-approved utility sinks, add prefix "N-" to model number. Example: N-2424-1-16/3)
- Entire assembly is fuse welded and planished, providing a one-piece seamless sink unit.
- 34 1/2" to 35 1/2" (876 to 902mm) working height.

### EAGLE GROUP

100 Industrial Boulevard, Clayton, DE 19938-8903 USA  
 Phone: 302-653-3000 • 800-441-8440 • Fax: 302-653-2065  
[www.eaglegrp.com](http://www.eaglegrp.com)  
[www.eaglegrpnews.com](http://www.eaglegrpnews.com)  
[www.eaglemhc.com](http://www.eaglemhc.com)

For custom configuration or fabrication needs, contact our **SpecFAB® Division**.  
 Phone: 302-653-3000 • Fax: 302-653-2065 • e-mail: [quotes@eaglegrp.com](mailto:quotes@eaglegrp.com)

Item No.: \_\_\_\_\_  
 Project No.: \_\_\_\_\_  
 S.I.S. No.: \_\_\_\_\_

## One-Compartment Utility Sinks with Square Corner Construction

### MODELS:

- 1818-1-16/4
- 1818-1-16/3
- 1824-1-16/4
- 1824-1-16/3
- 2118-1-16/4
- 2118-1-16/3
- 2124-1-16/4
- 2124-1-16/3
- 2136-1-16/4
- 2136-1-16/3
- 2424-1-16/4
- 2424-1-16/3
- 2424-1-24-16/4
- 2424-1-24-16/3

### Top:

- All partitions have euro-style front edge.
- Available with detachable\* or welded drainboards.
- 8" (203mm) splash features 2" (51mm) return to wall on 45° angle, with 1" (25mm) upturn.
- 1 1/8" (29mm) faucet holes punched on 8" (203mm) centers.

### Legs:

- 1 1/2" (41mm)-diameter heavy-gauge galvanized tubing.
- High-impact corrosion-resistant 1" (25mm) adjustable bullet feet.
- Leg locations fall directly under sink bowl, providing increased stability and maximum weight support.

### Sink Bowl:

- 16 gauge type 304 or 430 stainless steel.
- 13 3/8" (340mm)-deep compartment.
- 12-gauge leg gussets welded to a die-cut heavy-gauge reinforcing plate underneath sink bowl.
- Drain hole is 3 1/2" (89mm)-diameter, recessed, and complete with 1 1/2" (38mm) IPS basket-type waste drain, which is shipped loose.



EG20.13A Rev. 01/23

Spec sheets available for viewing, printing or downloading from our online literature library at our websites

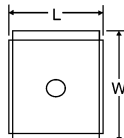
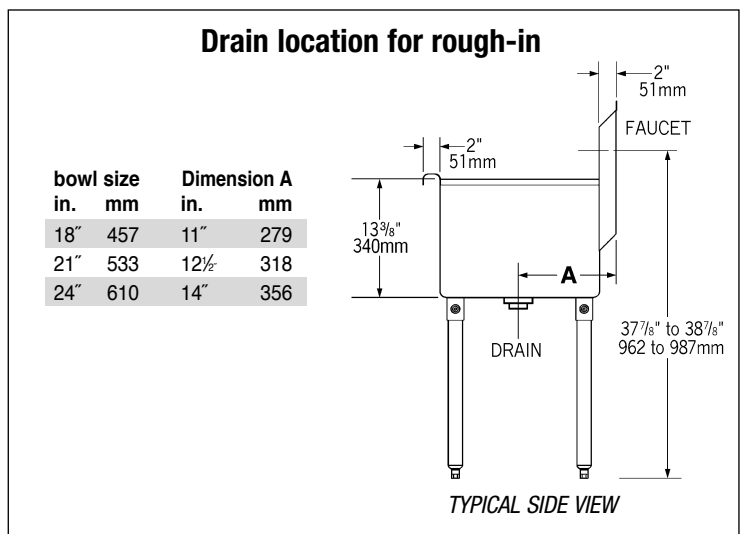
Eagle Foodservice Equipment, Eagle MHC, and SpecFAB® are divisions of Eagle Group. ©2023 by the Eagle Group



Profit from the Eagle Advantage®

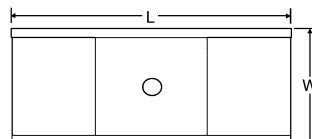
Item No.: \_\_\_\_\_  
 Project No.: \_\_\_\_\_  
 S.I.S. No.: \_\_\_\_\_

# One-Compartment Utility Sinks with Square Corner Construction



## Sinks with No Drainboards

| 16 gauge type 430 stainless steel model # | 16 gauge type 304 stainless steel model # | BOWL DIMENSIONS |          |            |           | DRAINBOARD |               | OVERALL DIMENSIONS |          |            |           | weight |      |
|---|---|-----------------|----------|------------|-----------|------------|---------------|--------------------|----------|------------|-----------|--------|------|
|   |   | width in.       | width mm | length in. | length mm | quantity   | length in. mm | width in.          | width mm | length in. | length mm | lbs.   | kg   |
| 1818-1-16/4                               | 1818-1-16/3                               | 18"             | 457      | 18"        | 457       | 0          | n/a           | 22"                | 559      | 19 1/2"    | 492       | 53     | 24.0 |
| 1824-1-16/4                               | 1824-1-16/3                               | 18"             | 457      | 24"        | 610       | 0          | n/a           | 22"                | 559      | 25 1/2"    | 645       | 56     | 25.4 |
| 2118-1-16/4                               | 2118-1-16/3                               | 21"             | 533      | 18"        | 457       | 0          | n/a           | 25"                | 635      | 19 1/2"    | 492       | 56     | 25.4 |
| 2124-1-16/4                               | 2124-1-16/3                               | 21"             | 533      | 24"        | 610       | 0          | n/a           | 25"                | 635      | 25 1/2"    | 645       | 61     | 27.7 |
| 2136-1-16/4                               | 2136-1-16/3                               | 21"             | 533      | 36"        | 914       | 0          | n/a           | 25"                | 635      | 37 1/2"    | 949       | 66     | 29.9 |
| 2424-1-16/4                               | 2424-1-16/3                               | 24"             | 610      | 24"        | 610       | 0          | n/a           | 28"                | 711      | 25 1/2"    | 645       | 60     | 27.2 |
| 2436-1-16/4                               | 2436-1-16/3                               | 24"             | 610      | 36"        | 914       | 0          | n/a           | 28"                | 711      | 37 1/2"    | 949       | 68     | 30.8 |



## Sinks with Double Drainboards

| 16 gauge type 430 stainless steel model # | 16 gauge type 304 stainless steel model # | BOWL DIMENSIONS |          |            |           | DRAINBOARD |               | OVERALL DIMENSIONS |          |            |           | weight |      |
|---|---|-----------------|----------|------------|-----------|------------|---------------|--------------------|----------|------------|-----------|--------|------|
|   |   | width in.       | width mm | length in. | length mm | quantity   | length in. mm | width in.          | width mm | length in. | length mm | lbs.   | kg   |
| 2124-1-18-16/4                            | 2124-1-18-16/3                            | 21"             | 533      | 24"        | 610       | 2          | 18" 457       | 25"                | 635      | 60 1/4"    | 1530      | 99     | 44.9 |
| 2424-1-24-16/4                            | 2424-1-24-16/3                            | 24"             | 610      | 24"        | 610       | 2          | 24" 610       | 28"                | 711      | 72 1/4"    | 1835      | 108    | 49.0 |

### EAGLE GROUP

100 Industrial Boulevard, Clayton, DE 19938-8903 USA

Phone: 302-653-3000 or 800-441-8440 • Fax: 302-653-2065

www.eaglegrp.com • www.eaglegrpnews.com • www.eaglehmc.com

Printed in U.S.A.  
 ©2023 by Eagle Group

Rev. 01/23

Spec sheets available for viewing, printing or downloading from our online literature library at our websites

Although every attempt has been made to ensure the accuracy of the information provided, we cannot be held responsible for typographical or printing errors. Information and specifications are subject to change without notice. Please confirm at time of order.