



EKFA 464 N

FOUR-TRAY, FULL-SIZE CONVECTION OVEN
WITH MANUAL CONTROL

S

Maximum cooking capacity in a small space

Lateral supports for 4 trays at 3 17/64" pitch

(4) 18" x 26" chrome grids *INCLUDED*

(8) Half-size (13"x18") tray capacity side-by-side (on grids)

Temperature range 200 to 500° F

Stainless-steel cooking chamber

Manual control panel

Bi-directional fan

High-performance oven insulation

High-efficiency motor and fan

Recessed door gasket

Top-hinged, dual-paned glass door

Internal glass designed to facilitate easy cleaning

Timed or infinite cooking mode

Internal halogen light

Extended warranty options available



Conforms to the following standards:

- Standard safety UL 197
- CSA C 22.2 No. 109:2017
- Sanitation NSF / ANSI 4-2020



Tecnoeka, Inc.
3385 Denver Drive
Denver, North Carolina 28037

Web Site: www.tecnoeka.com
E-mail: info.usa@tecnoeka.com
Toll Free: 888-626-EKA1 (3521)



Printed in the U.S.A.
August 2024

EKFA 464 N

DIMENSIONS	NET	
Width	32.2 in	31 in
Depth	31.9 in	36 in
Height	25.7 in	36 in
Weight	116 lb	153 lb

UTILITY CONNECTIONS

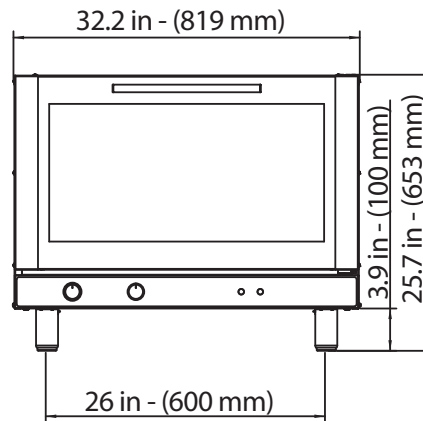
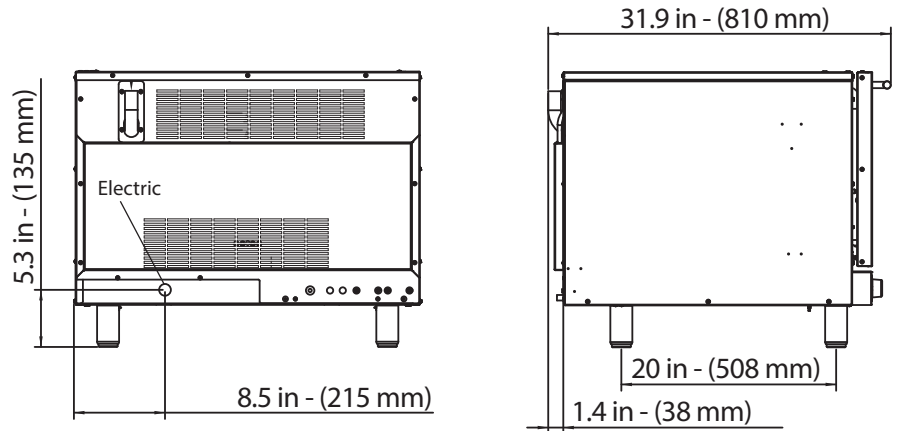
All utility connections should be within three feet of the centerline of the back of the oven when installed.

ELECTRICAL

Power:	4.9-6.2kW
Frequency:	60 Hz
Voltage (AC):	208/240v
Current:	23.5-26.0A
Cable:	NOT SUPPLIED
Plug:	NOT SUPPLIED
Breaker size:	40A (recommended)

AVAILABLE OPTIONS AND ACCESSORIES

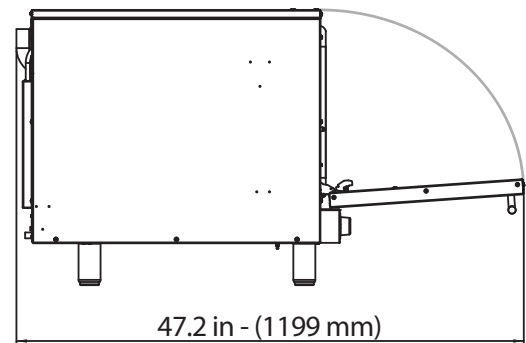
Table - standard height (31.14")	EKTAS 464
Table - w/casters (34.76")	EKTARS 464
18" x 26" stainless-steel grid	EKGAFSX
Spray kit with support and tube	EKKD



* Oven must be installed a minimum of 19.7" (500 mm) from any significant source of heat and/or grease (for example: fryers, burners, kettles, open flames, etc.)

Other surfaces must maintain a minimum of 3.94" (100mm) clearance.

Tecnoeka is not responsible for damage to the oven caused by any external heat source.



Tecnoeka, Inc.
3385 Denver Drive
Denver, North Carolina 28037

Web Site: www.tecnoeka.com
E-mail: info.usa@tecnoeka.com
Toll Free: 888-626-EKA1 (3521)



Printed in the U.S.A.
August 2024