



**Lang**  
*Wave*

Item No. \_\_\_\_\_

Project \_\_\_\_\_

Quantity \_\_\_\_\_

## 36" Electric Induction Top Range with Convection Oven Base **Model: RI36C-ATE Series**



*Model RI36C-ATE Shown*

### SHORT/BID SPECIFICATION

Range shall be a **LANG Manufacturing Model RI36-ATE** : a 36" wide heavy duty electric heated unit with standard oven base and 21.6-kW total power input; all stainless steel exterior; fully insulated oven with aluminized steel interior, heavy duty drop-down door and one chrome plated oven rack standard; individual oven and cook-top component controls. Induction cook surface.

### STANDARD PRODUCT WARRANTY

- Two year, parts & labor
- Lifetime warranty on oven door mechanism

### CONSTRUCTION FEATURES

- One piece heavy duty 430 Series stainless steel exterior, with attractive No. 4 finish
- 17" high cooking compartment is aluminized steel
- Oven is insulated on six sides
- Heavy duty hinged –right door with magnetic door closure
- Six position oven rack slide supports
- Three chrome-plated oven racks provided
- 6" adjustable legs standard
- Full width 2" high range–top back riser
- 3" wide full width front grease trough
- 6" wide full width plate landing
- Grease drain in trough with full width & depth spillage drawers
- Griddle Configurations include a one piece splash guard, back & sides

### PERFORMANCE FEATURES

- Largest available 36" range convection oven base has six 18" X 26" pan capacity
- 2-piece unit fits through 36" wide door
- 6 ea. 8" diameter induction burner
- Full front grease trough, grease drain & spillage drawers speed cleanup
- Full front landing simplifies and speeds plating
- Separate, independent controls allows simultaneous multi-function cooking

### CONTROLS

- 150-450°F oven thermostat
- ON-OFF power switch
- 60 minute timer with alarm
- Damper control
- One thermostat control per induction burner



Sheet No. **LSP-ID3** (rev. 02/12)

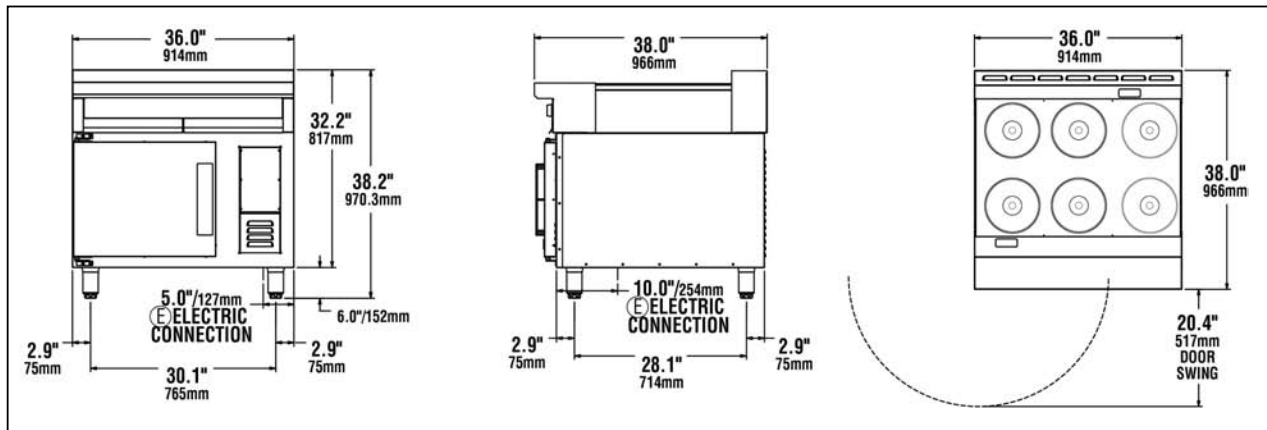
# 36" Electric Induction Top Range with Convection Oven Base **Model: RI36-ATE Series**

## INSTALLATION REQUIREMENTS

- Unit is shipped in two pieces, cook top & oven base
- (E) Single 208/240V, 1/ 3-Phase
- Installation under approved vent hood required. Consult local codes.  
[Power connection from bottom. See below]

## OPTIONS & ACCESSORIES

- Set of 6" casters, two-locking, two fixed
- High Storage Rack [for mounting above any 36" Range]
- Extra wire pan racks [Three provided as std.]



[Front View/Elevation]

[Right Side View]

[Top View/Plan]

Model	Height x Width x Depth (With standard 6" legs)	Clearance from combustible surface	Weight		Freight Class
			Actual	Shipping	
RI36C-ATE	38.2" x 36.0" x 38.0" 970mm x 914mm x 966mm	Sides: 4" (100mm) Back: 4" (100mm)	380-475* lbs. 173-216 kg	430-525* lbs. 195-239 kg	85

Model	(E) Electrical Requirements			
	Voltage	Total kW	Phase	Amps/Line
RI36C-ATE	208V/60Hz	21.6	1	103.8
	240V/60Hz	21.6	1	90.0
	208V/60Hz	21.6	3	69.2
	240V/60Hz	21.6	3	59.9

## CAD SYMBOLS & PRICING



Due to continuous improvements, specifications subject to change without notice.



**LANG MANUFACTURING • 10 SUNNEN DR. ST. LOUIS, MO 63143**  
**PHONE: 314-678-6315 • FAX: 314-781-3636 • www.langworld.com**