



For more than 25 years, the Vertical Contact Toaster has been a staple in foodservice operations, building a reputation for quality and reliability around the world.

The Vertical Contact Toaster gives buns a consistent, golden brown finish which helps the sandwich stay firm and delicious. The VCT-1000 has a preset features a dial thermostat for adjusting the quality of the toast for a variety of different bread products. Available preset toast times range from 10 seconds to 28 seconds to keep up with the demand of any sized operation.



#### Dual-Sided Platen

Vertical Contact Toaster has more capacity than conventional single-sided toasters, allowing operators to quickly serve fresh products



#### Dial Temperature Thermostat

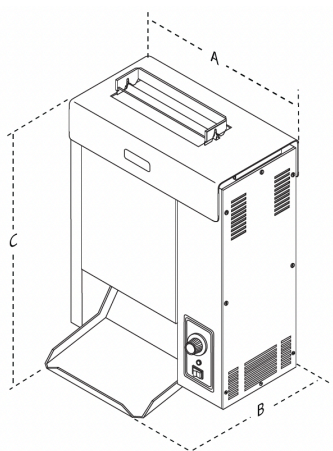
Easily adjust the quality of the toast for a variety of different bread products



#### Small Footprint

The upright design saves valuable counter space, allowing it to easily integrate into any operation

# Vertical Contact Toaster | VCT-1000



## Features:

- Continuously moving conveyor allows for immediate toasting
- Separate compression adjustments for heel and crown
- Release sheets allow buns to move easily down the heated platen without sticking or slipping
- Easy to operate and clean
- Stainless steel construction

### VCT-1000 (without belt wraps)

### Electrical Ratings

### Dimensions

Model & Mfg. No.	Capacity*	Approvals	Plug	Volts	Watts	Amps	Hz.	Width (A)	Depth (B)	Height (C)	Shipping Weight
VCT-1000 9210700	10-sec. toast time		NEMA 5-15P	120	1800	15	50/60	21 1/4" (540 mm)	15 1/4" (387 mm)	24 1/4" (616 mm)	82 lbs. (37.2 kg)
VCT-1000 9210702	10-sec. toast time		NEMA 6-20P	208-240	2600-3455	12.5-14.4	50/60	21 1/4" (540 mm)	15 1/4" (387 mm)	24 1/4" (616 mm)	82 lbs. (37.2 kg)
VCT-1000 9210704	10-sec. toast time		IEC-309	208-240	2600-3460	12.5-14.4	50/60	22 1/4" (565 mm)	15 1/4" (387 mm)	24 1/4" (616 mm)	84 lbs. (38.1 kg)
VCT-1000 9210712	10-sec. toast time		CEE 7/7	220-240	1775-2125	8.07-8.85	50	22 1/4" (565 mm)	15 1/4" (387 mm)	23 1/4" (591 mm)	81 lbs. (36.7 kg)
VCT-1000 9210986	10-sec. toast time		BS-1363	230	1775-2125	8.07-8.85	50/60	22 1/4" (565 mm)	15 1/4" (387 mm)	23 1/4" (591 mm)	81 lbs. (36.7 kg)
VCT-1000* 9210714	17-sec. toast time		NEMA 6-20P	208-240	2600-3455	12.5-14.4	50/60	21 1/4" (540 mm)	15 1/4" (387 mm)	23 1/4" (591 mm)	81 lbs. (36.7 kg)
VCT-1000 9210711	15-sec. toast time		IEC-309	208-240	2600-3460	12.5-14	50/60	22 1/4" (565 mm)	15 1/4" (387 mm)	24 1/4" (616 mm)	84 lbs. (38.1 kg)
VCT-1000* 9210709	28-sec. toast time		NEMA 6-20P	208-240	2600-3455	12.5-14.4	50/60	21 1/4" (540 mm)	15 1/4" (387 mm)	23 1/4" (591 mm)	81 lbs. (36.7 kg)

### VCT-1000 (with belt wraps)

VCT-1000 9210710	10-sec. toast time		IEC-309	208-240	2600-3455	12.5-14.4	50	22 1/4" (565 mm)	15 1/4" (387 mm)	24 1/4" (616 mm)	82 lbs. (37.2 kg)
VCT-1000* 9210724	28-sec. toast time		NEMA 6-20P	208-240	2600-3455	12.5-14.4	50/60	20 5/16" (516 mm)	10 3/4" (273 mm)	23 7/32" (590 mm)	81 lbs. (36.7 kg)

### VCT-1000 (with motorized butter wheel and bun feeder without belt wraps)

VCT-1000 9210719	15-sec. toast time		NEMA 6-20P	208-240	2600-3455	12.5-14.4	50/60	21 1/4" (540 mm)	15 1/4" (387 mm)	29 3/4" (756 mm)	94 lbs. (42.6 kg)
---------------------	--------------------	--	------------	---------	-----------	-----------	-------	------------------	------------------	------------------	-------------------

\* Includes 10 release sheets.

**\*Toast time will vary 20% depending on power frequency**

### Accessories

Item	Mfg. No.	Description
Butter Wheel	7000703	Stainless steel butter wheel and pan. Use to butter buns before toasting.
Universal Tall Bun Feeder	7001522	Automatic gravity-fed bun feeder for pre-loading buns into a toaster.
Universal Tall Angled Bun Feeder	7001523	Angled, automatic gravity-fed bun feeder for pre-loading buns into a toaster.
Low Profile Universal Bun Feeder	7001521	Low profile bun feeder allows for quick and easy loading of buns into the toaster. Attaches to the top of the toaster without the use of tools.