

- Use with on-site gas blenders for best performance.
- Regulates output pressure up to 110 psig.
- Forged brass and die cast for durability, flow control inlet nipple filter.
- Built-in safety, pressure relief valve (PRV) releases at 115-125 PSI.

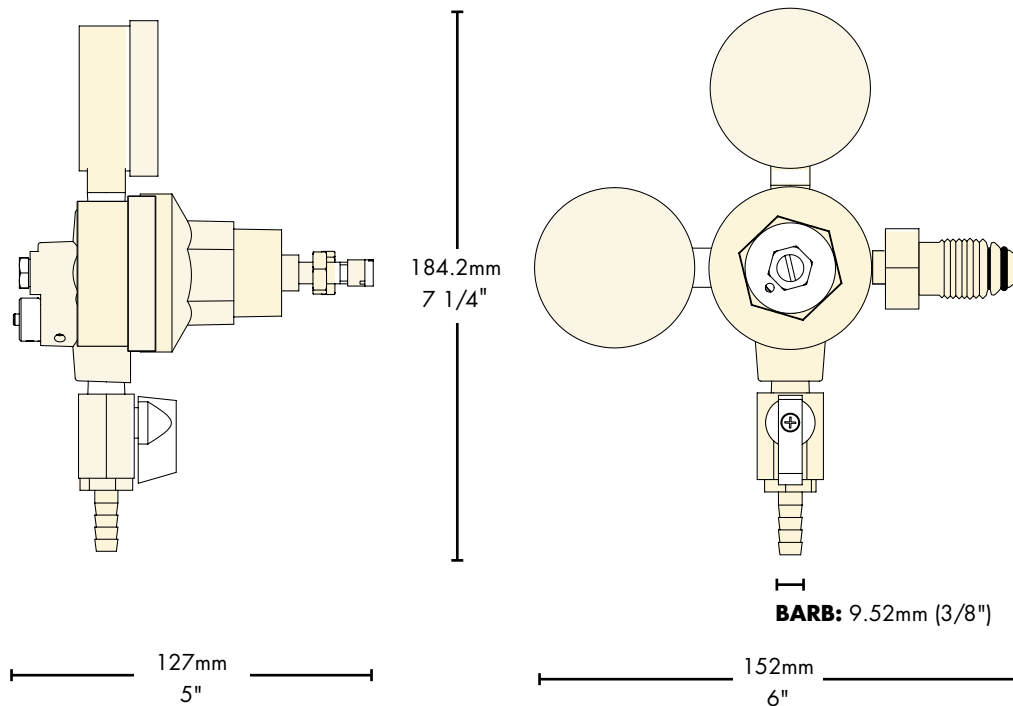


Specifications

Micro Matic reserves the right to change specifications without notice. **AUTOQUOTES**

Part No.	Description	Shipping Weight	Box Dimensions
<input type="checkbox"/> 942BN	High Pressure Nitrogen Regulator	1 kg	305mm L x 254mm W x 152mm H
		3 lbs	12"L x 10"W x 6"H

Dimensions



Copyright ©2011 Micro Matic USA, Inc. All Rights Reserved.

00158D1008



www.micromatic.com

Toll Free: 1-(866) 327-4159

West	Central	Southeast	Northeast
19791 Bahama Street Northridge, CA 91324 Tel. (818) 701-9765 Fax. (818) 701-9844	10726 North Second Street Machesney Park, IL 61115 Tel. (815) 968-7557 Fax. (815) 968-0363	2364 Simon Court Brooksville, FL 34604 Tel. (352) 799-6331 Fax. (352) 796-2429	4601 Saucon Creek Road Center Valley, PA 18034 Tel. (610) 625-4464 Fax. (610) 625-4466