

BACK BAR EQUIPMENT

Model: **KC50SNSS**

Natural Refrigerant R-290 Model

50" Keg Cooler - Shallow Depth

Stainless steel exterior, countertop, interior back and side panels with reinforced stainless steel floor.



Options and Accessories

(upcharge and lead times may apply)

| | |
|-----------------------------------------------------|-------------------------------|
| Epoxy coated or stainless steel shelves | Faucet lock |
| Hinged glass doors (consult factory) | Riser base* (field installed) |
| Food storage rated stainless steel interior (NSF-7) | Condensing unit on right |
| Single, dual or triple faucets | Wine rack |
| Tower placement (consult factory) | Casters or legs |
| Standard depth | |

Consult factory for other model configurations, options and accessories.

* Adding a Riser Base increases overall height 2"

Project Name:

Model Specified:

Location:

Item No:

Quantity:

AIA #:

SIS #:

Standard Model Features

REFRIGERATION SYSTEM

Performance rated front breathing refrigeration system

Natural, environmentally safe, high efficiency R-290 refrigerant¹

Automatic, hot gas condensate evaporator

Extra large, balanced evaporator coil

CABINET ARCHITECTURE

High density, non-CFC polyurethane foamed-in-place insulation

Front, rear and side venting louvered grills

Magnetic snap in Santoprene™ door gaskets

Cylinder-keyed security lock in each door

Stainless steel reinforced threshold

MODEL FEATURES

Low profile cabinet design

Electronic controller with digital display & hi-low alarm

Continuously cooled, 3" diameter beer column with lever faucet, CO₂ pressure relief distributor and CO₂ tubing with clamps

Easily removable stainless steel drip grate with convenient front mounted cleanout drainage hose (pan not removable)

Off-cycle defrost

Easily accessible and serviceable condensing unit

¹ R-290 refrigerant meets all federal and state regulatory requirements.

Continental[®]
Refrigerator

Toll-Free: 800-523-7138
Phone: 215-244-1400
Fax: 215-244-9579

539 Dunksferry Road
Bensalem, PA 19020
www.continentalrefrigerator.com

APPROVAL:

Model Specifications

DIMENSIONAL DATA

| | |
|----------------------------------------------------------|------------------|
| Net Capacity (cubic feet) | 13 (368 cu l) |
| Width, Overall (inches) | 50 (1270 mm) |
| Depth, Overall (inches) (including handles & bumpers) | 25 3/16 (640 mm) |
| Depth, Body Only (inches) (less doors) | 21 (533 mm) |
| Height, Overall (inches) (not including column) | 34 3/4 (883 mm) |
| Capacity: # Barrel Kegs | 0 |
| Capacity: # Straight Wall Kegs | 2 |
| Capacity : # 1/2 Size Kegs | 6 |
| Number of Doors | 2 |
| Number of Beer Columns (with dual faucets) | 1 |

REFRIGERANT DATA

| | |
|-----------------------------|------|
| Condensing Unit Size (H.P.) | 1/4 |
| Capacity (BTU per hour)* | 1800 |

ELECTRICAL DATA

| | |
|------------------------------------------------|---------------------|
| Voltage (International) | 115/60/1 (220/50/1) |
| Feed Wires (including ground) | 3 |
| Total Amps (International) | 3.7 (3.4) |
| 10 ft. Cord/Plug [attached] (International) | Yes (No) |

SHIPPING DATA

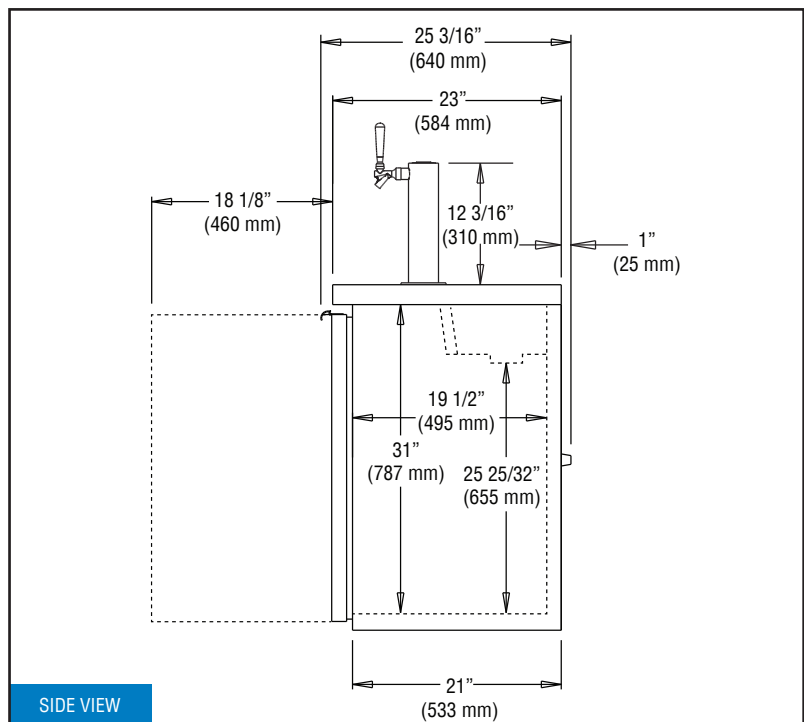
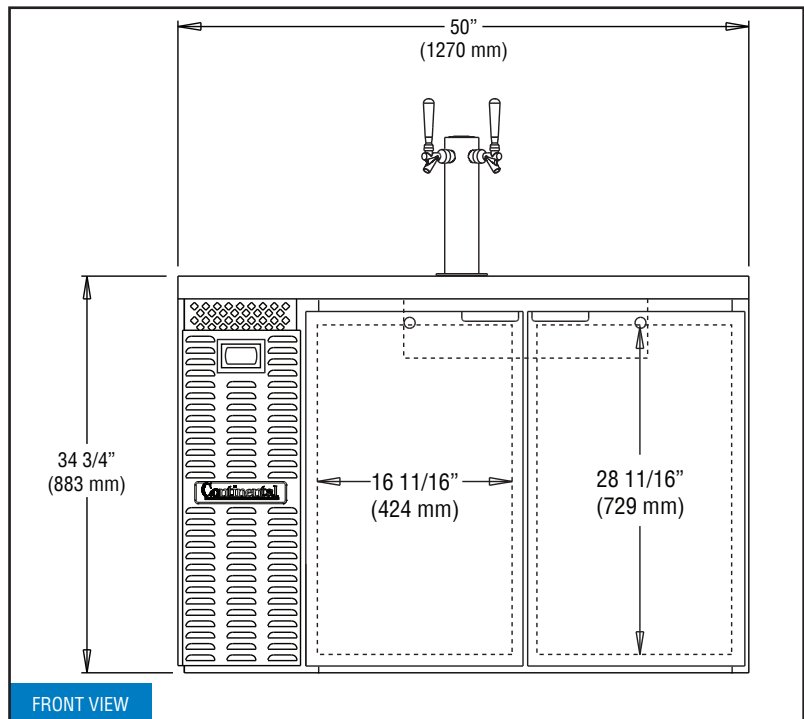
| | |
|--------------------------|--------------|
| Weight (pounds) | 375 (170 kg) |
| Height - Crated (inches) | 46 (1168 mm) |
| Width - Crated (inches) | 58 (1473 mm) |
| Depth - Crated (inches) | 42 (1067 mm) |

* Rating @ +25°F evaporator, 90°F ambient
Figures in parentheses reflect metric equivalents rounded to the nearest whole unit.



Equipped with one NEMA-5-15P Plug
(varies by country)

Model Plan Views



IMPORTANT NOTE: Models are completely front breathing and take in and exhaust air through the front grill. For proper operation, the area in front of the cabinet **must** not be obstructed in any way. A clearance of 1" on the back and 3" on the sides is recommended.

Continental
Refrigerator

Toll-Free: 800-523-7138
Phone: 215-244-1400
Fax: 215-244-9579

539 Dunksferry Road
Bensalem, PA 19020
www.continentalrefrigerator.com

Due to our continued efforts in developing innovative products, specifications subject to change without notice.



© Copyright 2021. Continental Refrigerator.
A Division of National Refrigeration & Air Conditioning Products, Inc.

REVISED: 5/10/2022