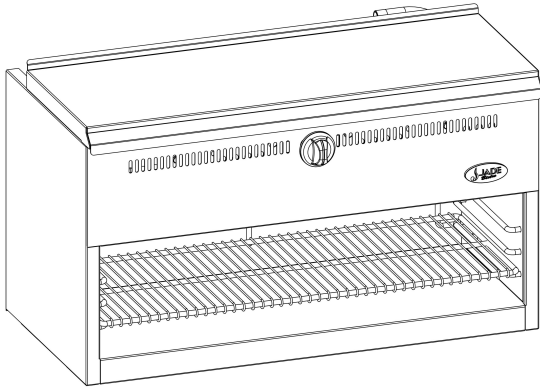




CHEESE MELTER

Bistro

CHEESE MELTER BISTRO



JBR-CM36-WM

DESCRIPTION:

Cheese Melter to be Model # JBR-CM-_____ manufactured by Jade®. To have high power infrared burner(s). Each burner to be furnished with one stainless steel pilot and gas tubing throughout. To be of 14 gauge all welded construction with stainless steel front, both sides and bottom. Each to be furnished with one stainless steel pilot and gas tubing throughout. Provide heavy gauge wall mount bracket. Unit to be provided with a 3/4" gas regulator.

MODEL NO.	DESCRIPTION
<input type="checkbox"/> JBR-CM24-WM	24" WIDE CHEESE MELTER
<input type="checkbox"/> JBR-CM36-WM	36" WIDE CHEESE MELTER
<input type="checkbox"/> JBR-CM48-WM	48" WIDE CHEESE MELTER
<input type="checkbox"/> JBR-CM60-WM	60" WIDE CHEESE MELTER
<input type="checkbox"/> JBR-CM72-WM	72" WIDE CHEESE MELTER
<input type="checkbox"/> PASS-THRU	ADD "PT" TO END OF MODEL NUMBER
<input type="checkbox"/> EXTRA SHELF	ADD "+1" TO END OF MODEL NUMBER (ADDS 4-5/8" TO HEIGHT)
<input type="checkbox"/> RANGE MOUNT	ADD "RM" TO END OF MODEL NUMBER

Note: When range mounting on Bistro™ equipment a riser must be ordered also.

STANDARD FEATURES

- Stainless steel front, sides, top and bottom
- High power infrared burners
- Stainless steel top
- 2" thick insulated bottom shelf
- 14 gauge all welded construction
- Stainless steel gas tubing throughout
- One stainless steel pilot tip per burner
- Heavy gauge wall mount bracket
- 3/4" gas regulator (shipped loose, MUST be installed for proper operation.)

AVAILABLE OPTIONS

- Stainless steel outer back panel for range mount unit
- Interconnect gas line (for single gas connection when mounting cheese melter on range)
- Stainless steel interior



WWW.JADERANGE.COM

JADE RANGE, LLC., A MIDDLEBY COMPANY • 2650 Orbiter Street • Brea, CA 92821 •
 PHONE: 800-884-5233 • FAX: 714-961-2550

Note: In line with their policy to continually improve products, Jade reserves the right to change materials and specifications without notice. Printed in USA

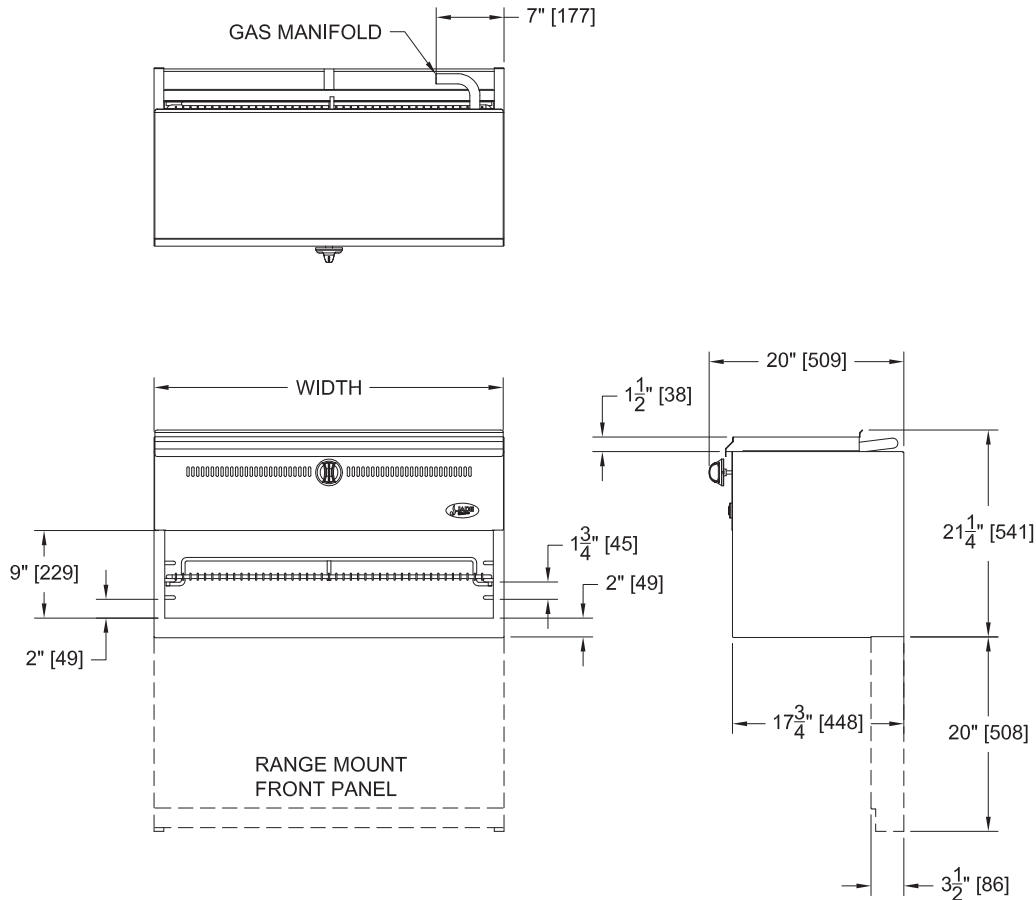




CHEESE MELTER

Bistro

CHEESE MELTER BISTRO



MODEL	BURNERS	BTU'S	WIDTH	DEPTH	HEIGHT	APPX. SHPWT
JBR-CM24	1	20,000	24"	17-1/2"	21-1/4"	105 LBS.
JBR-CM36	1	30,000	36"	17-1/2"	21-1/4"	160 LBS.
JBR-CM48	2	40,000	48"	17-1/2"	21-1/4"	210 LBS.
JBR-CM60	2	50,000	60"	17-1/2"	21-1/4"	260 LBS.
JBR-CM72	3	60,000	72"	17-1/2"	21-1/4"	320 LBS.

Note: For +1 model only, add 4-5/8" to height for additional shelf

NOTE: This unit must be connected with the gas appliance regulator supplied

**NOTE: SPECIFY TYPE OF GAS WHEN ORDERING
SPECIFY ALTITUDE WHEN ABOVE 2,000 FT.**

UTILITY INFORMATION:

- 3/4" Connection - see drawing for location
- Required operating pressure:
Natural Gas 5" W.C. minimum
Propane Gas 10" W.C. minimum
14" W.C. maximum

WWW.JADERANGE.COM

JADE RANGE, LLC., A MIDDLEBY COMPANY • 2650 Orbiter Street • Brea, CA 92821 •
PHONE: 800-884-5233 • FAX: 714-961-2550

Note: In line with their policy to continually improve products, Jade reserves the right to change materials and specifications without notice. Printed in USA

