



EKFA 464 N AL

FOUR-TRAY, FULL-SIZE CONVECTION OVEN
WITH MANUAL CONTROL, LEFT-OPENING DOOR

FEATURES

- Maximum cooking capacity in a small space
- Lateral supports for 4 trays at 3 17/64" pitch
- (4) 18" x 26" chrome grids *INCLUDED*
- (8) Half-size (13"x18") tray capacity side-by-side (on grids)
- Temperature range 200 to 500° F
- Stainless-steel cooking chamber
- Manual control panel
- Bi-directional fan
- High-performance oven insulation
- High-efficiency motor and fan
- Recessed door gasket
- Right-hinged (left-opening) dual-paned glass door
- Internal glass designed to facilitate easy cleaning
- Timed or infinite cooking mode
- Internal halogen light
- Extended warranty options available



Conforms to the following standards:

- Standard safety UL 197
- CSA C 22.2 No. 109:2017
- Sanitation NSF / ANSI 4-2020



Tecnoeka, Inc.
3385 Denver Drive
Denver, North Carolina 28037

Web Site: www.tecnoeka.com
E-mail: info.usa@tecnoeka.com
Toll Free: 888-626-EKA1 (3521)



Printed in the U.S.A.
August 2024

EKFA 464 N AL

| DIMENSIONS | NET | |
|------------|---------|--------|
| Width | 32.3 in | 31 in |
| Depth | 32.6 in | 36 in |
| Height | 25.7 in | 36 in |
| Weight | 117 lb | 154 lb |

UTILITY CONNECTIONS

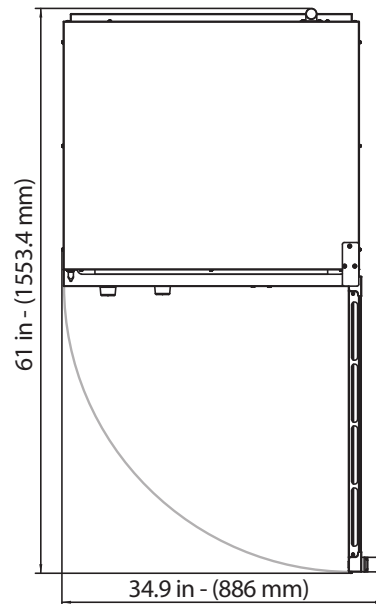
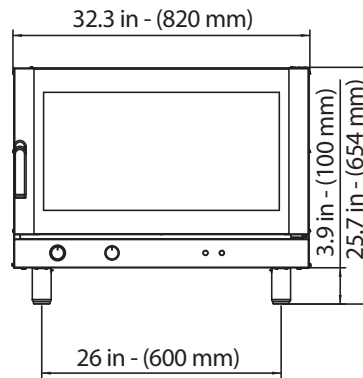
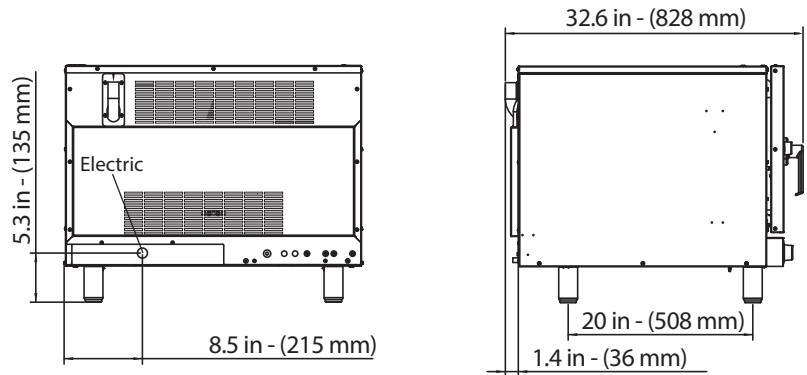
All utility connections should be within three feet of the centerline of the back of the oven when installed.

ELECTRICAL

| | |
|---------------|-------------------|
| Power: | 4.9-6.2kW |
| Frequency: | 60 Hz |
| Voltage (AC): | 208/240v |
| Current: | 23.5-26.0A |
| Cable: | NOT SUPPLIED |
| Plug: | NOT SUPPLIED |
| Breaker size: | 40A (recommended) |

AVAILABLE OPTIONS AND ACCESSORIES

| | |
|----------------------------------|------------|
| Table - standard height (31.14") | EKTAS 464 |
| Table - w/casters (34.76") | EKTARS 464 |
| 18" x 26" stainless-steel grid | EKGAFSX |
| Spray kit with support and tube | EKKD |



* Oven must be installed a minimum of 19.7" (500 mm) from any significant source of heat and/or grease (for example: fryers, burners, kettles, open flames, etc.)

Other surfaces must maintain a minimum of 3.94" (100mm) clearance.

Tecnoeka is not responsible for damage to the oven caused by any external heat source.

Tecnoeka, Inc.
3385 Denver Drive
Denver, North Carolina 28037

Web Site: www.tecnoeka.com
E-mail: info.usa@tecnoeka.com
Toll Free: 888-626-EKA1 (3521)



Printed in the U.S.A.
August 2024