



Profit from the Eagle Advantage®

Specification Sheet

Short Form Specifications

Eagle Panco® Pizza Pan Rack, model OUR-PZA-12A. Aluminum construction with 1" square tubular frame and supports. Adjustable pan openings for 10" to 16" pans. Crossbracing runs side-to-side on top and bottom. Aluminum angle tray slides with raised beads to minimize friction. 2" slide spacing accommodates 13 pans. Furnished with 5" diameter casters. Shipped knocked down.

Eagle Panco® Pizza Pan Rack, model OUR-PZ-12A. All-welded aluminum construction with 1" square tubular frame and supports. Crossbracing runs side-to-side and front-to-back on top and bottom. Aluminum tray slides with raised beads to minimize friction, riveted to frame. 2" slide spacing accommodates 12 pans—flat, rimmed, tapered or nesting type—up to 1 3/4" deep. Furnished with 5" diameter casters. Shipped assembled.



#OUR-PZA-12A
adjustable pizza pan rack



#OUR-PZ-12A
all-welded pizza pan rack

Options / Accessories

- Casters with locking brakes
- Rotary bumpers
- Perimeter bumper
- Vertical corner bumpers
- Pan stop

EAGLE GROUP

100 Industrial Boulevard, Clayton, DE 19938-8903 USA
Phone: 302-653-3000 • 800-441-8440 • Fax: 302-653-2065
www.eaglegrp.com
www.eaglegrpnews.com
www.eaglemhc.com

For custom configuration or fabrication needs, contact our SpecFAB® Division.
Phone: 302-653-3000 • Fax: 302-653-2065 • e-mail: quotes@eaglegrp.com

Item No.:	_____
Project No.:	_____
S.I.S. No.:	_____

Panco® Pizza Pans Racks

MODELS:

- OUR-PZA-12A
- OUR-PZ-12A

Features on OUR-PZA-12A

- Heavy duty all-aluminum frame construction.
- Frame and supports: 1" (25mm) square aluminum tubing. Crossbracing runs side-to-side on top and bottom.
- Tray slides: aluminum angle bearing surface with raised beads to minimize friction. Slides are welded to frame.
- Features adjustable pan openings for 10" to 16" (254 to 406mm) pans. Knock-down construction.
- Casters: 5" (127mm)-diameter non-marking swivel stem casters with polymer tread.

Features on OUR-PZ-12A

- Heavy duty all-aluminum welded frame construction.
- Frame and supports: 1" (25mm) square aluminum tubing. Crossbracing runs side-to-side and front-to-back on top and bottom.
- Tray slides: aluminum angle bearing surface with raised beads to minimize friction. Slides are riveted to frame. Slides accommodate nominal 16" to 20" (406 to 508mm) pans.
- All-welded rack holds flat, rimmed, tapered, and nesting pans up to 1 3/4" (44mm) deep and feature a solid aluminum top.
- Casters: 5" (127mm)-diameter non-marking swivel stem plated casters with polymer tread.

Certifications / Approvals



AutoQuotes



EG60.18A Rev. 01/23

Spec sheets available for viewing, printing or downloading from our online literature library at our websites

Eagle Foodservice Equipment, Eagle MHC, and SpecFAB® are divisions of Eagle Group. ©2023 by the Eagle Group

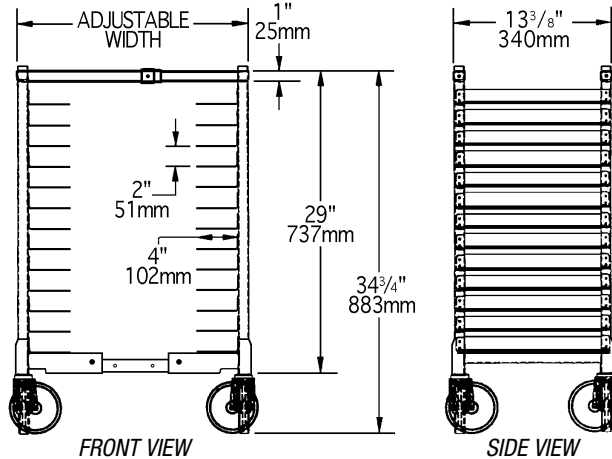


Profit from the Eagle Advantage®

Item No.: _____
 Project No.: _____
 S.I.S. No.: _____

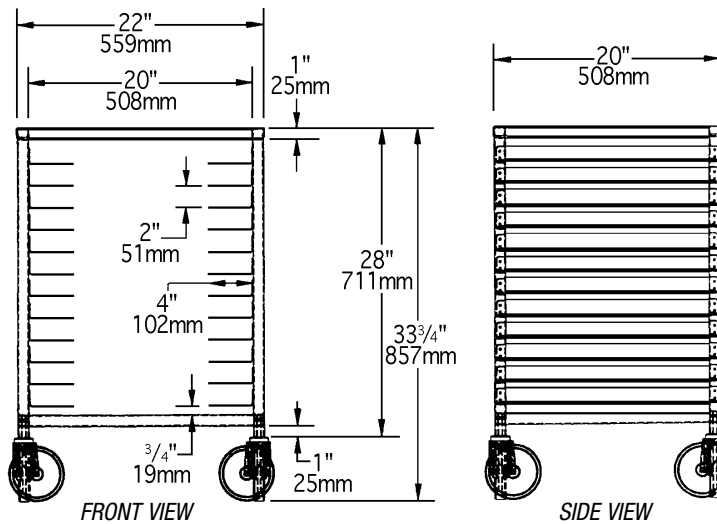
Panco® Pizza Pan Racks

#OUR-PZA-12A—Adjustable



model #	overall dimensions				slide spacing		rack capacity	weight			
	width in.	width mm	depth in.	depth mm	in.	mm		lbs.	kg		
OUR-PZA-12A	adj.		13 3/8"	340	34 3/4"	883	2"	51	13	37	16.8

#OUR-PZ-12A—All-welded



model #	overall dimensions				slide spacing		rack capacity	weight			
	width in.	width mm	depth in.	depth mm	in.	mm		lbs.	kg		
OUR-PZ-12A	22"	559	20"	508	33 3/4"	857	2"	51	12	37	16.8

EAGLE GROUP
 100 Industrial Boulevard, Clayton, DE 19938-8903 USA
 Phone: 302-653-3000 or 800-441-8440 • Fax: 302-653-2065
 www.eaglegrp.com • www.eaglegrpnews.com • www.eaglehmc.com

Printed in U.S.A.
 ©2023 by Eagle Group

Rev. 01/23

Spec sheets available for viewing, printing or downloading from our online literature library at our websites

Although every attempt has been made to ensure the accuracy of the information provided, we cannot be held responsible for typographical or printing errors. Information and specifications are subject to change without notice. Please confirm at time of order.