

**MODEL: IUC-MR41**
**DEEP UNDERCOUNTER:  
Undercounter Refrigerators**

### General Strengths

- ✓ **Energy efficiency higher.** R290 refrigerant with electric fans and evaporative tray without electric resistances.
- ✓ **Sanitation.** The interior cabinet is built with rounded corners (extensive radius for easy cleaning). Quick ability to take off shelves and slides for interior cleaning. Each cabinet has a drain at the bottom of the unit. When cleaning the unit make sure the drain hose is routed to a floor drain.
- ✓ **Doors & Drawers.** Self-closing door system with permanent pressure. Stay open feature included when door remains open after 95 degrees. All doors include triple chamber door gaskets, easy to remove and snap in.
- ✓ **Control systems.** Greater ability for the adjustment of temperature range as per the end user's requirements.
- ✓ **100% Tested.** All condenser units are 100% tested, in helium chambers for refrigerant leak detections.
- ✓ **Certified.** Audited and Certified by INTERTEK for compliance with UL 471 and NSF 7. AENOR audited and certified by internationally recognized firm. ISO 9001:2015 (Quality); ISO 14001:2015 (Environmental); OSHAS 18001:2007 (Prevention and Worker Safety)


**DOE COMPLIANT**

MODEL	Dimensions (inches) (mm)			Nº Doors	Nº Shelves	Ref.	Ref. Weight (Lbs.) (gr.)	Temp. Range (°F) (°C)	Capacity (Cu. Ft.) (L)	Cond. Unit. H.P.	Case Amps 115 V.	Crated Weight (Lbs.) (Kg.)
	W	D	H									
IUC-MR41	41-3/8	32-5/8	33-1/8	1	2	R290	0.22	33°F/38°F	7.8	1/4	4.1	370
	1050	830	840									

FTL LISTED TO UL471 STANDARD AND SANITATION CLASSIFIED TO NSF7 – WE RESERVE THE RIGHT TO CHANGE SPECIFICATIONS WITHOUT PRIOR NOTICE

**MODEL: IUC-MR41**

**DEEP UNDERCOUNTER:  
Undercounter Refrigerators**

**STANDARD FEATURES**

➤ **Exterior**

- AISI 304 Stainless Steel Top,
- AISI 430 Stainless Steel.

➤ **Interior**

- AISI 430 Stainless Steel,
- Internal drain plugs for easy cleaning,
- Sealed interior floors and rounded cabinet corners.

➤ **Insulation**

- CFC-Free polyurethane insulation, entire cabinet structure is foamed-in using a high-density polyurethane insulation,
- Low GWP & Zero ODP effect.

➤ **Doors**

- Polyurethane insulated doors,
- Self closing doors with stay open feature,
- Stainless Steel heavy-duty hinges,
- Triple chamber snap in door gaskets for easy removal and cleaning,
- Field reversible doors,
- Door locks,
- Door opening: WxH= 22-7/8"x20-5/8" (580x525 mm).

➤ **Shelving**

- (2) Plastic coated wire shelves per section,
- Set of Stainless Steel shelf brackets,
- Easy remove for cleaning,
- Dimensions WxD: 20-7/8"x25-5/8" (GN 2/1) (530x650 mm),
- Compatible with 18"x26" (457x660 mm). sheet pans.

➤ **Casters**

- 4" diameter casters,
- Locks provided on front set.

➤ **Refrigeration**

- Digital temperature controller with automatic defrost system,
- Energy-saving non-electric condensate pan,
- Forced air refrigeration system,
- Extractable condensing unit for easy service,
- Evaporator coil coated with anti-corrosion material 100% Polyester,
- Refrigeration capacity: 1706 Btu/h (14<sup>9</sup>F) / 500 W (-10<sup>0</sup>C).



➤ **Electrical**

- Cord and NEMA 5-15P plug,
- Electrical connection is 115V / 1ph / 60 Hz.
- 15 AMP breakers required,



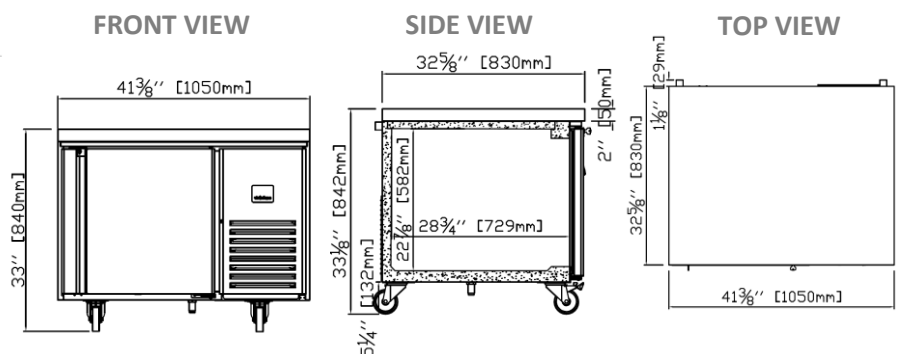
➤ **ETL Listed to UL471 Standard and Sanitation classified to NSF7.**

**OPTIONAL FEATURES**

- ✓ Set of 6" legs, height adjustable from 5" to 8",
- ✓ Stainless Steel wire shelves,
- ✓ Additional slide kits,
- ✓ Drawer kit,
- ✓ Single Overshelf,
- ✓ Double Overshelf,
- ✓ 4" Backsplash – Worktop,
- ✓ Electrical connection is: 220-230 V / 1ph / 50 Hz (plug type varies).



**PLAN VIEW**



ETL LISTED TO UL471 STANDARD AND SANITATION CLASSIFIED TO NSF7 – WE RESERVE THE RIGHT TO CHANGE SPECIFICATIONS WITHOUT PRIOR NOTICE

Revision: 01 Date: 04/29/2019

IUC-MR41\_FT\_69\_1