

Stock Pot Ranges

SINGLE & DOUBLE STOCK POT RANGES
SINGLE & DOUBLE LOW BOY STOCK POT RANGES



All Stainless-Steel construction, interior and exterior front, and sides.

Cast-iron "Ring" type burner with 2 control knobs.

Powerful **45,000 BTU** per burner, removable and easy to clean.

Reinforced heavy duty 18" x 21" cast iron top grates with pilot protection.

Stainless Steel drip tray, removable for easy cleaning

Lower cabinet storage.

Zamac heat resistant knobs for added durability

Independent pilots for each burner.

6" adjustable legs.

All units are ETL certified under ANSI Z83.11-CSA 1.8 standard.

OPTIONS & ACCESSORIES

5" castors.

Specify LPG or Nat. Gas (comes standard with conversion kits).

Specify is above 2000 ft. elevation.



AESP-18-2-L



AESP-18-2



AESP-42-4-L



AESP-42-4

MODEL	BURNERS	BTU x BURNER	TOTAL BTU	DIMENSIONS (in)			SHIPPING	
				Width	Depth	Height	Lbs.	ft ³
SINGLE & DOUBLE STOCK POT RANGES								
AESP-18-2	2	45.000	90.000	18	23	24-3/4	123	7.1
AESP-42-4	4	45.000	180.000	48	23	24-3/4	256	14.1
SINGLE & DOUBLE LOW BOY STOCK POT RANGES								
AESP-18-2-L	2	45.000	90.000	18	23	17-5/8	117	7.1
AESP-42-4-L	4	45.000	180.000	48	50	17-5/8	249	14.1

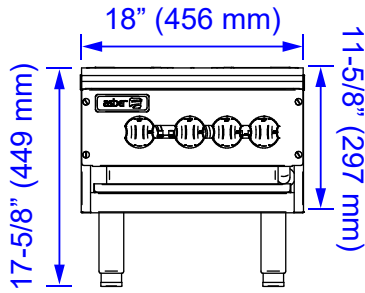
SPECIFICATIONS ARE SUBJECT TO CHANGE WITHOUT PRIOR NOTICE. | SPECIFICATIONS VALID ONLY FOR CONTINENTAL USA & CANADA.

Stock Pot Ranges

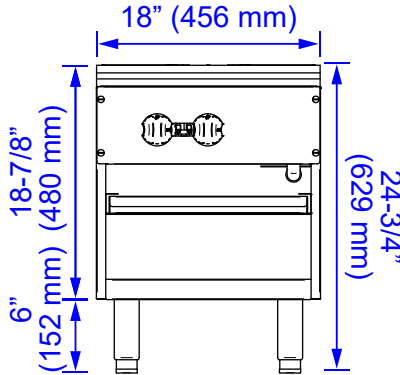
SINGLE & DOUBLE STOCK POT RANGES
SINGLE & DOUBLE LOW BOY STOCK POT RANGES



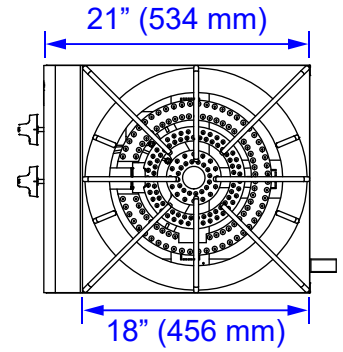
AESP-18-2-L



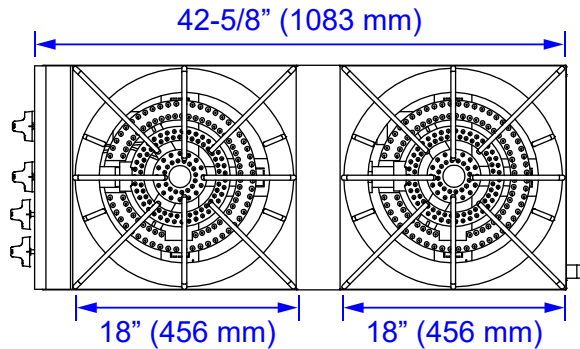
AESP-18-2



AESP-18-2-L / AESP-18-2 TOP



AESP-42-4 / AESP-42-4-L TOP



MODEL	AESP-18-2	AESP-18-2-L	AESP-42-4	AESP-42-4-L
GAS CONNECTION				
Gas Type	Natural Gas (NG) / Propane Gas (LPG)			
Gas Pressure	5.0" W.C. / 10.0" W.C.			
Gas Line	3/4 or more			
Pressure Regulator	Included			
SHIPPING DIMENSIONS (IN)				
Width	22		50	
Depth		24		
Height		29		



INSTALLATION REQUIREMENTS

- 1. GAS CONNECTION:** gas line must be 3/4" or larger, same if flexible connectors are used.
- 2. VENTILATION:** an adequate ventilation system is required for commercial cooking equipment. Request more info @ National-Fire Protection Association, www. NFPA.org.
- 3. CLEARANCE:** 3" on the sides and the back for combustible; 0" for non-combustible buildings.
- 4. DISCLAIMER:** Asber assumes no liability for parts or labor coverage for component failure, factory defect or any other damages for units installed in non-commercial foodservice or residential applications.

SPECIFICATIONS ARE SUBJECT TO CHANGE WITHOUT PRIOR NOTICE. | SPECIFICATIONS VALID ONLY FOR CONTINENTAL USA & CANADA.