



YOU CAN TRUST

FOOD PROCESSOR

PA7 PRO / PA7 PRO D



STANDARD FEATURES

Stainless steel construction, effortless precise cuts, high productivity and a wide selection of discs, including Dicing and Julienne, [sold separately], make the PA-7 PRO the best cost x benefit unit on the market. For your convenience, model PA7 PRO D comes with 7 pre selected discs ideal for slicing, shredding, grating and dicing all types of fruits and vegetables as well as making french fries.



PA7 PRO
Food Processor



PA7 PRO D
Food Processor
Includes 7 discs



EASY LOCK

New feed hopper locker allows operator to open and close feed hopper with ease.



HIGHER CLEARANCE

Allows for the use of up to 7 3/4" deep receiving pans.



EXTRA LARGE FEED HOPPER

For big products or large quantities.



PUSHER PLATE WITH ROUND CHUTE

Allows long and round products to be cut with precision.



USER SAFETY

Double interlock switch prevents machine from running when feed hopper is open or pusher plate is up.



EASILY REMOVABLE FEED HOPPER

Easy clean up.



E5 | 3/16"



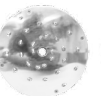
E10 | 3/8"



H3 | 1/8"



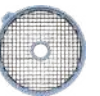
H10 | 3/8"



Z5 | 3/16"



U



GC10 PRO (3/8")



Skyfood Equipment LLC
175 SW 7th Street, Ste 2416
Miami, FL 33130

Toll Free:
1-800-503-7534
sales@skyfood.us

www.skyfood.us



Follow us to keep up to date with the latest news and offers

/SkyfoodEquipment

/SkyfoodEquipment

/SkyfoodEquipment

ILLUSTRATIVE PHOTO, ACTUAL PRODUCTS AND ACCESSORIES ARE SUBJECT TO CHANGE WITHOUT NOTICE.



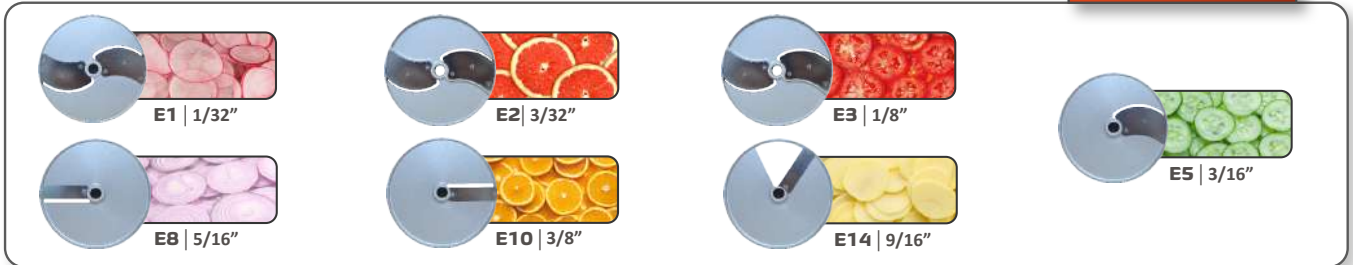
YOU CAN TRUST

FOOD PROCESSOR

PA7 PRO / PA7 PRO D



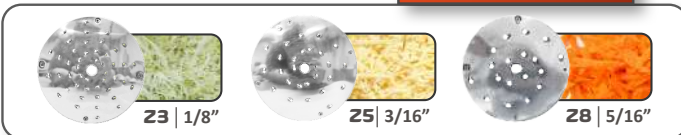
SLICING DISCS



JULIENNE



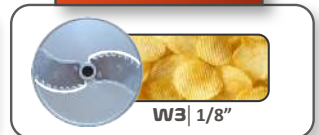
SHREDDING DISCS



GRATING DISC




SCALLOP CUT



DICING GRIDS



COMBINATIONS

	 GC8 PRO (5/16")	 GC10 PRO (3/8")	 GC14 PRO (9/16")	 GC20 PRO (25/32")
 E5 3/16" <i>Vegetables</i>	5 X 8 X 8mm	5 X 10 X 10mm	5 X 14 X 14mm	5 X 20 X 20mm
 E8 5/16" <i>Pine</i>	8 X 8 X 8mm	8 X 10 X 10mm	8 X 14 X 14mm	8 X 20 X 20mm
 E10 3/8" <i>Meatballs</i>	Do not use a slicer disc	10 X 10 X 10mm	10 X 14 X 14mm	10 X 20 X 20mm
 E14 9/16" <i>Meatballs</i>	Do not use a slicer disc	Do not use a slicer disc	14 X 14 X 14mm	14 X 20 X 20mm

Convenient 3 and 6 blade packages are available with pre-selected discs.

KIT MP-3



KIT MP-6 PRO



Skyfood Equipment LLC
175 SW 7th Street, Ste 2416
Miami, FL 33130

Toll Free:
1-800-503-7534
sales@skyfood.us

www.skyfood.us





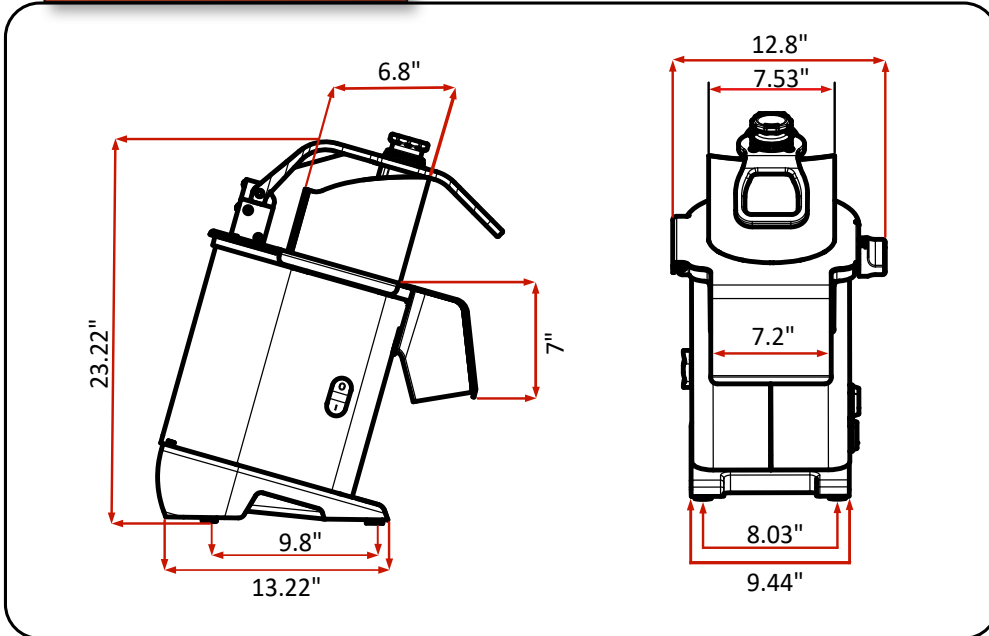
YOU CAN TRUST

FOOD PROCESSOR

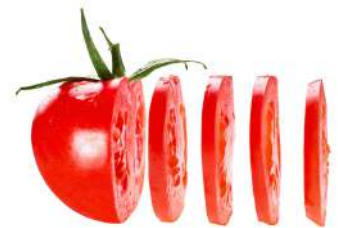
PA7 PRO / PA7 PRO D



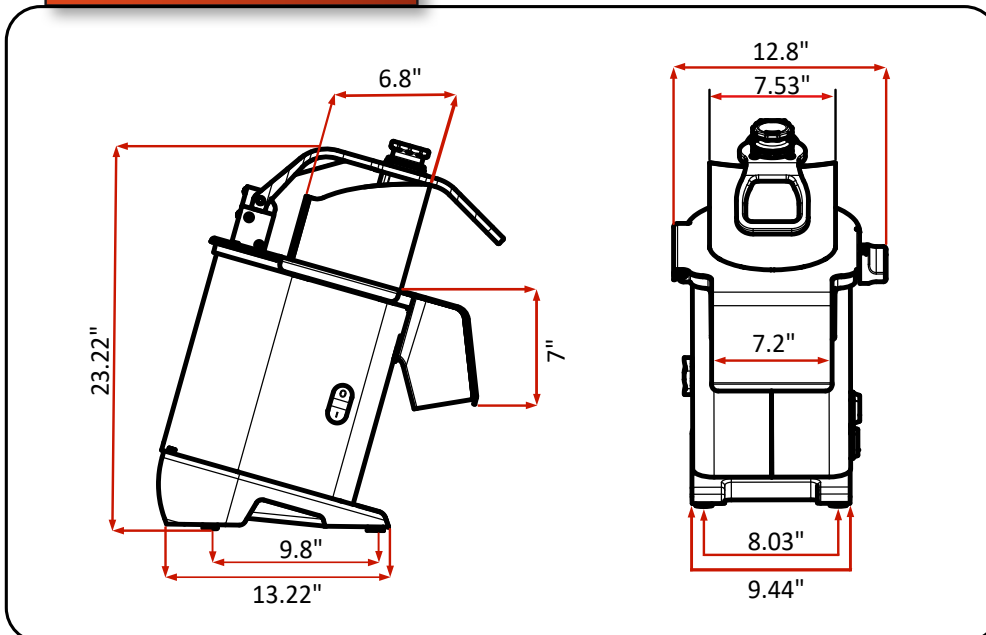
DIMENSIONS - PA7 PRO



DICING ASSEMBLY



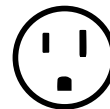
DIMENSIONS PA7 PRO D



MADE IN BRAZIL



HIGH POWER
1/2 HP Motor



PLUG
NEMA 5-15P

WARRANTY 01 YEAR PARTS AND LABOR VALID IN THE CONTINENTAL UNITED STATES.

Item	Voltage	AMPS	Power Rating	Dimensions (W x D x H)	Weight (Net x Ship)	Oblong Dimensions	Round Chute Diameter	Disc Diameter	Production
PA7 PRO	110 V	5.5	1/2 HP	12.8" x 20.47" x 23.22"	50 lb x 58 lb	73/8" x 6 1/4"	1 7/8"	8"	552 lb/h
PA7 PRO D	110 V	5.5	1/2 HP	12.8" x 20.47" x 23.22"	61.2 lb x 70.5 lb	73/8" x 6 1/4"	1 7/8"	8"	552 lb/h



Skyfood Equipment LLC
175 SW 7th Street, Ste 2416
Miami, FL 33130

Toll Free:
1-800-503-7534
sales@skyfood.us

www.skyfood.us



Follow us to keep up to date with the latest news and offers

[/SkyfoodEquipment](#)

[/SkyfoodEquipment](#)

[/SkyfoodEquipment](#)

ILLUSTRATIVE PHOTO, ACTUAL PRODUCTS AND ACCESSORIES ARE SUBJECT TO CHANGE WITHOUT NOTICE.