

CORRECTIONAL INSULATED HOT CABINET MODEL H-137-UA-9DZ

FEATURES AND BENEFITS:

- Fully insulated hot cabinet keeps prepared foods at serving temperatures.
- Powerful, yet efficient, 1500 Watt heating system maintains the right temperature to properly hold products. Heats up to 200°F. (93°C.).
- Standard solid state electronic control with large, clear, easy-to-read and operate LED digital display to ensure holding at precise food temperature.
- Locking stainless steel and lexan security panel protects controls.
- Internal frame in body and doors maintains structural rigidity.
- Body constructed of non-corrosive, Hi-Tensile aluminum for strength and ease of mobility. One piece extended base protects cabinet body.
- Smooth interior coved corners prevent food particle/grease buildup.
- Safety-conscious anti-microbial handles protect against spreading germs.
- Self-closing insulated door prevent temperature loss; magnetic door gasket for proper seal. Field reversible for flexibility.
- Standard with right hand hinging; left hand hinging available upon request.
- Key locking anti-microbial magnetic door latch for "easy open"; positive catch with lock hasp secures door during transport.
- Recessed push/pull handles on both sides prevent damage to walls; allows easy maneuvering.
- Nine sets of stainless steel universal angles accommodate a large variety of pan sizes riveted on 4-1/2" centers.
- Heavy duty 5" swivel casters, two with brakes. Provides mobility when fully loaded.



H-137-UA-9DZ



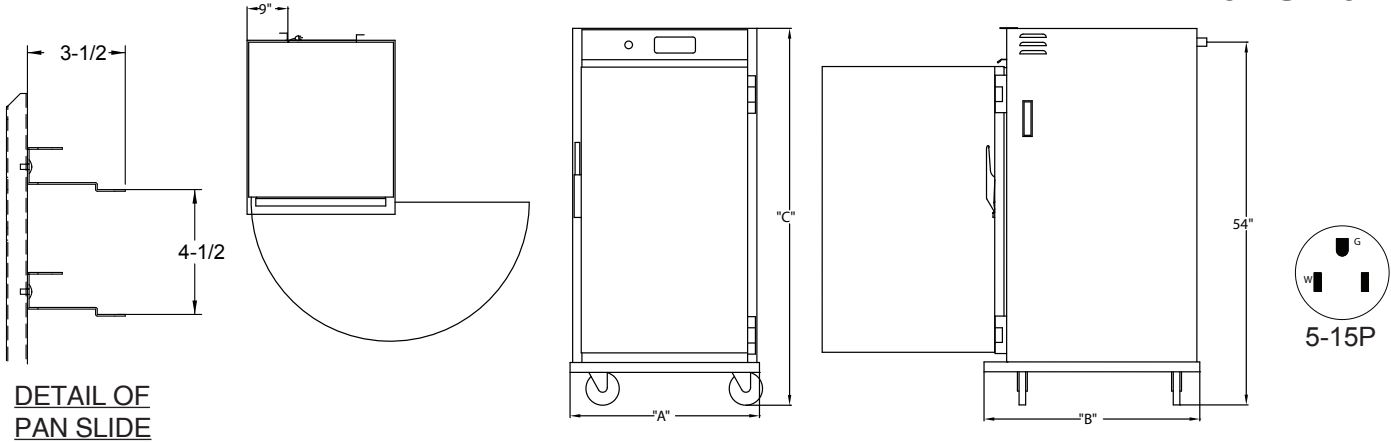
Standard solid state electronic control with large, clear, easy-to-read and operate LED digital display to ensure holding at precise food temperature

ACCESSORIES and OPTIONS (Available at extra cost):

- Universal Angles Welded and Riveted
- Corner Bumpers
- Perimeter Bumper
- Various Caster Options
- 208 or 240 Volt Service
- HACCP Documentation (Built-in USB port)

See page B-20 for accessory details.

H-137-UA-9DZ



CRES COR MODEL NO.	PAN			DIM "A"	DIM "B"	DIM "C"	INSIDE DIMENSIONS				WEIGHT ACT.
	CAP/ANGLES	SIZE		WIDTH	DEPTH	HEIGHT	WIDTH	DEPTH	HEIGHT		
H-137-UA-9DZ	9 SETS	SEE NOTE BELOW	IN	28-3/4	33-3/8	57-1/4	22	26-7/8	42-1/8	LBS	207
			MM	730	850	1455	560	685	1070	KG	94

NOTES: 1. Pan sizes 22" x 20" (560 x 510) Roast & Bake Pans, 10" x 20" (255 x 510) Roast & Bake Pans, 18" x 26" (460 x 660) Bun Pans, 14" x 18" (355 x 460) Service Trays, 12" x 20" (305 x 510) Steam Table Pans.
Refer to Pan Size Chart at end of section.
2. When ordering bumpers, add 2" to overall dimensions.
ALL EXPOSED FASTENERS ARE TAMPER PROOF.

CABINET:

- Body: .063 aluminum.
- Reinforcement: Internal framework of 18 ga. stainless steel.
- Insulation: Fiberglass, thermal conductivity (K factor) is .23 at 75°F. 1-1/2" in doors, top, base; 2" in sidewalls.
- Air tunnels: .063 aluminum; mounted on sides.
- Push/pull handles (2): 5" vertical; recessed.
- Interior coved corners.
- Cord wrap

BASE:

- One piece construction, .125 aluminum.
- Casters: 5" dia., swivel, modulus tires, 1-1/4 wide, load cap. 250 lbs. each, temp. range -45°/+180°F. Delrin bearings. Front casters equipped with brakes.

DOOR:

- Field reversible.
- Inner and outer: .063 aluminum.
- Latch: Chrome plated zinc, magnetic type with key lock handle.
- Positive transport latch with hasp lock.
- Hinges: 11 ga. stainless steel; Butt type.
- Gasket: Perimeter type, magnetic santoprene.
- Pan stop: Embossed.

PAN SLIDES:

- Formed 16 ga. stainless steel angles.
- Riveted on 4-1/2" centers; removable with tools.

ELECTRICAL COMPONENTS:

- Security panel: 18 ga. stainless steel with 3/16" polycarbonate window and key lock.
- Thermostat: Solid state digital display control, room ambient to 200°F (93°C).
- Switch: ON-OFF push button type.
- Power cord: Permanent, 10 ft., 14/3 ga.
- Heater: 1470 Watts.
- Blower motor.
- Vent fan.
- Thermometer: Digital.

POWER REQUIREMENTS:

- 1500 Watts, 120 Volts, 60 Hz., single phase, 12 Amps., 15 Amp. service.

SHORT FORM SPECIFICATIONS

Cres Cor Correctional Insulated Hot Cabinet Model H-137-UA-9DZ. Tamper proof fasteners. Solid state electronic controlled times and temperatures. Inner, outer and top liners of .063 aluminum; stainless steel internal frame. (9) sets stainless steel universal angles for multiple pan sizes, riveted on 4-1/2" centers. Field reversible door, made from .063 aluminum; key locking magnetic latch. Fiberglass insulation in sides 2"; door, top, base 1-1/2". Interior coved corners. Hose out cleaning capability. 1500 Watt, 120 Volt power unit. One piece base, .125 aluminum. 5" swivel modulus casters, Delrin bearings. Load capacity 250 lbs. each. 1-Year Parts / 90-Day Labor warranty. Provide the following accessories: ____ . NSF, CSA-US, CSA-C listed.



5925 Heisley Road • Mentor, OH 44060-1833
Phone: 877/CRESCOR • Fax: 440/350-7267
www.crescor.com

© Crescent Metal Products, Inc. 2018 All rights reserved.

In line with its policy to continually improve its products, CRES COR reserves the right to change materials and specifications without notice.

Made in America Since 1936