



STAINLESS STEEL

# REGALINE SINKS

## One & Two Compartments without Drainboards



**93 & 9 SERIES**  
Adjustable Side  
Cross-Bracing



**94 SERIES**  
Adjustable Side &  
Front Cross-Bracing



Item #: \_\_\_\_\_ Qty #: \_\_\_\_\_

Model #: \_\_\_\_\_

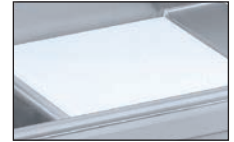
Project #: \_\_\_\_\_



93 & 9 Series Adjustable  
Side Cross-Bracing



94 Series Adjustable  
Side & Front Cross-Bracing



Recessed Bowl Surface  
Accommodates Poly-Vance  
Cutting Boards & Sink Covers

### FEATURES:

Tile edge for ease of installation.

One piece **Deep Drawn** sink bowls with splash.

All sink bowls have a large liberal 3" radius.

"94" Series is supplied with adjustable front and side cross braces featuring leg clamps.

"93" & "9" Series is supplied with adjustable side cross braces featuring leg clamps.

### CONSTRUCTION:

All TIG welded.

Welded areas blended to match adjacent surfaces and to a satin finish.

Gussets welded to a die-embossed reinforcing channel.

### MATERIALS:

**Spec-Line (94 Series):** 14 gauge type 304 stainless steel  
11" High Splash.

**Standard (93 Series):** 16 gauge type 304 stainless steel  
8" High Splash.

**Super Saver (9 Series):** 18 gauge type 304 stainless steel  
8" High Splash.

- LEGS:**
- 1 5/8" diameter tubular stainless steel.
  - Stainless steel gussets.
  - Stainless Steel 1" adjustable bullet feet.

**YES! It's SeaLess!**

Bowl Size	O.A. Length	# of Comp.	SPEC-LINE 94 Series		STANDARD 93 Series		SUPER SAVER 9 Series		Cu. Ft.
			Model #	WT.	Model #	WT.	Model #	WT.	
			<b>14 Ga. 304 S/S</b> 14" Water Level		<b>16 Ga. 304 S/S</b> 12" Water Level		<b>18 Ga. 304 S/S</b> 12" Water Level		
<b>16" x 20"</b>	27"	One	94-1-24	77 lbs.	93-1-24	62 lbs.	9-1-24	54 lbs.	20
	46"	Two	94-2-36	109 lbs.	93-2-36	76 lbs.	9-2-36	66 lbs.	20
<b>20" x 20"</b>	31"	One	94-21-20	92 lbs.	93-21-20	80 lbs.	9-21-20	61 lbs.	20
	54"	Two	94-22-40	116 lbs.	93-22-40	92 lbs.	9-22-40	79 lbs.	23
<b>24" x 24"</b>	35"	One	94-41-24	97 lbs.	93-41-24	85 lbs.	9-41-24	72 lbs.	23
	62"	Two	94-42-48	174 lbs.	93-42-48	145 lbs.	9-42-48	133 lbs.	31
<b>20" x 28"</b>	31"	One	94-81-20	134 lbs.	93-81-20	94 lbs.	9-81-20	82 lbs.	27
	54"	Two	94-82-40	176 lbs.	93-82-40	150 lbs.	9-82-40	138 lbs.	45
			14" Water Level 18" Flood Level		12" Water Level 16" Flood Level		12" Water Level 16" Flood Level		



Customer Service Available To Assist You 1-800-645-3166 8:30 am - 7:00 pm E.S.T.

For Orders & Customer Service:

Email: customer@advancetabco.com or Fax: 631-242-6900

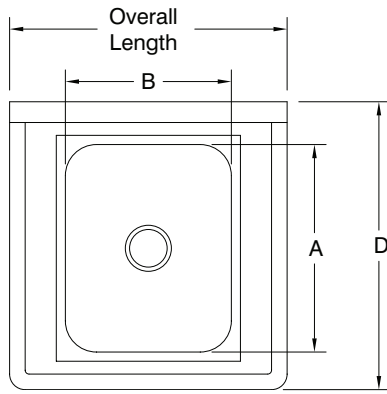
For Smart Fabrication™ Quotes:

Email: smartfab@advancetabco.com or Fax: 631-586-2933

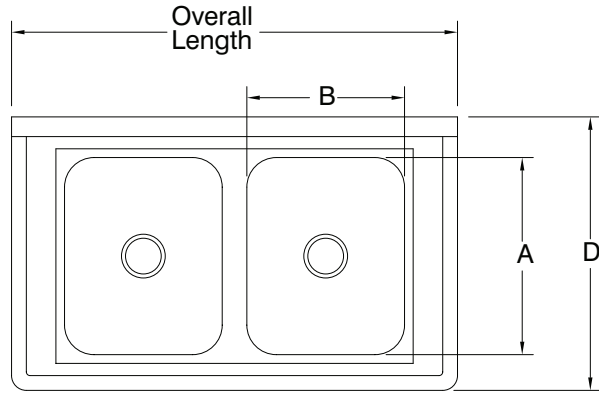
# DIMENSIONS and SPECIFICATIONS

TOL Overall: ± .500"  
Interior: ± .250"

ALL DIMENSIONS ARE TYPICAL



1 Compartment



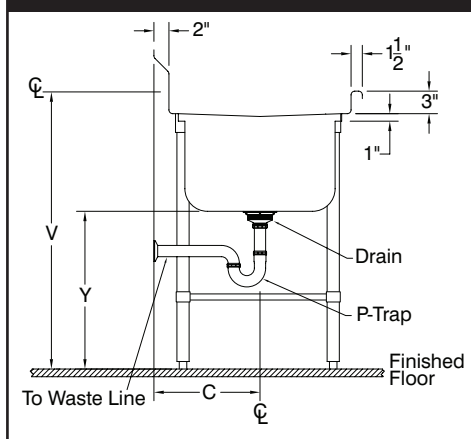
2 Compartment

## DESCRIPTION

DESCRIPTION				94 SERIES					9 & 93 SERIES								
BOWL SIZE	# Of Compart.	DRBD SIZE	Recommended Use	A	B	C	D	V	W	X	Y	Z	V	W	X	Y	Z
16"x20"	One Two	27" 46"	DISH SINKS	20"	16"	14 1/8"	28"	38"	11"	14"	19"	45"	38"	8"	12"	21"	42"
20"x20"	One Two	31" 54"	DISH & POT SINKS	20"	20"	14 1/8"	28"	38"	11"	14"	19"	45"	38"	8"	12"	21"	42"
24"x24"	One Two	35" 62"	POT SINKS	24"	24"	16 1/8"	32"	38"	11"	14"	19"	45"	38"	8"	12"	21"	42"
20"x28"	One Two	31" 54"	PAN SINKS	28"	20"	18 1/8"	36"	38"	11"	14"	19"	45"	38"	8"	12"	21"	42"

Regalines with 36" Drainboards are Supplied with Two Additional Legs (per drainboard) for Support.

## PLUMBING ROUGH-IN



## MECHANICAL:

- Supply is 1/2" IPS hot & cold.
- Faucet holes on 8" centers.
- Faucets are not included (**see accessories**).
- Waste drains are 1 1/2" IPS S/S basket type, located in center of sink bowl, and are included.



## SECTION

