



Profit from the Eagle Advantage®

# Specification Sheet

## Short Form Specifications

Eagle RedHots® Freestanding Heated Drawer, model \_\_\_\_\_ . Heavy duty stainless steel construction with 1½" fiberglass insulation. Stainless steel drawer liners are 12" x 20" x 6½" deep and will accept standard steam table pans. Each drawer features individual heater, recessed thermostat control, thermometer and indicator light. Adjustable louver to retain product moisture.



1-drawer freestanding model



2-drawer freestanding model



3-drawer freestanding model shown with optional casters

## Options / Accessories

- Caster Kits—4" (102mm) casters
- 1" (25mm) feet
- 2½" (64mm) feet
- 6" (512mm) HD equipment legs
- Perforated well pan bottom

## EAGLE GROUP

100 Industrial Boulevard, Clayton, DE 19938-8903 USA  
 Phone: 302-653-3000 • 800-441-8440 • Fax: 302-653-2065  
[www.eaglegrp.com](http://www.eaglegrp.com)  
[www.eaglegrpnews.com](http://www.eaglegrpnews.com)  
[www.eaglegrp.com](http://www.eaglegrp.com)

For custom configuration or fabrication needs, contact our SpecFAB® Division.  
 Phone: 302-653-3000 • Fax: 302-653-2065 • e-mail: [quotes@eaglegrp.com](mailto:quotes@eaglegrp.com)

Item No.: \_\_\_\_\_  
 Project No.: \_\_\_\_\_  
 S.I.S. No.: \_\_\_\_\_

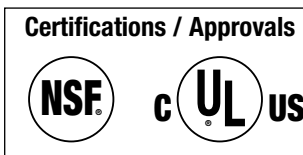
# RedHots® Heated Drawers —Freestanding Units

## MODELS:

- DWW-1-120     DWW-2-120     DWW-3-120
- DWW-1-240     DWW-2-240     DWW-3-240
- DWN-1-120     DWN-2-120     DWN-3-120
- DWN-1-240     DWN-2-240     DWN-3-240

## Design and Construction Features

- Heavy duty stainless steel construction with 1½" (38mm) fiberglass insulation.
- Drawers include stainless steel liners that accept standard full-size and fractional steam table pans up to 6" (152mm) deep (pans not included).
- All drawer liners are 20" (508mm) side-to-side, 12" (305mm) front-to-back and 6½" (165mm) deep.
- Freestanding styles feature 72" (1829mm) three-wire grounded cord and plug.
- 29" x 23¼" (737 x 591 mm) wide width units and 21" x 27¼" (533 x 705mm) narrow width units available.
- Standard 1-, 2-, or 3-drawer models.
- Each drawer features its own individual heater, recessed thermostat control, thermometer, and indicator light.
- Heating element configuration heats quickly and evenly from 100° to 200°F.
- Adjustable louvers on each drawer retain ideal product moisture levels.
- Drawers are interchangeable.
- 4" (102mm) adjustable non-marking feet.
- Fabricated built-in units also available—see spec sheet #EG35.16.



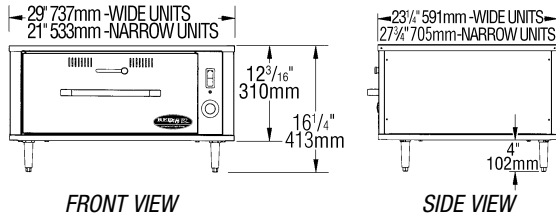
Spec sheets available for viewing, printing or downloading from our online literature library at our websites



Item No.: \_\_\_\_\_  
 Project No.: \_\_\_\_\_  
 S.I.S. No.: \_\_\_\_\_

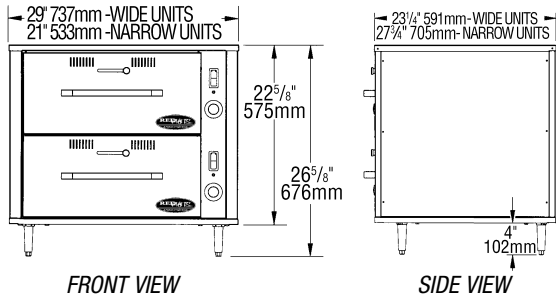
# RedHots® Heated Drawers — Freestanding Units

## 1-Drawer Units



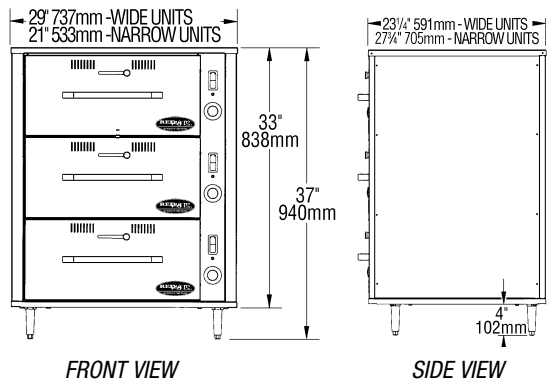
model #	overall dimensions		weight lbs. kg	electrical data
	width inches	depth x height mm		
<b>WIDE UNITS</b>				
DWW-1-120	29" x 23 3/4"	16 1/4" 737 x 591 x 413	143 64.9	120V, 3.75A, 450W
DWW-1-240	29" x 23 3/4"	16 1/4" 737 x 591 x 413	143 64.9	240V, 1.88A, 450W
<b>NARROW UNITS</b>				
DWN-1-120	21" x 27 3/4"	16 1/4" 533 x 705 x 413	143 64.9	120V, 3.75A, 450W
DWN-1-240	21" x 27 3/4"	16 1/4" 533 x 705 x 413	143 64.9	240V, 1.88A, 450W

## 2-Drawer Units

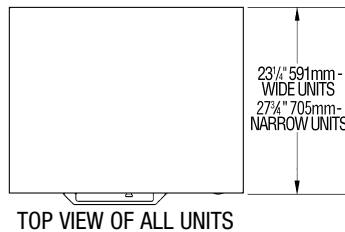


model #	overall dimensions		weight lbs. kg	electrical data
	width inches	depth x height mm		
<b>WIDE UNITS</b>				
DWW-2-120	29" x 23 3/4"	26 5/8" 737 x 591 x 676	182 82.6	120V, 7.5A, 900W
DWW-2-240	29" x 23 3/4"	26 5/8" 737 x 591 x 676	182 82.6	240V, 3.75A, 900W
<b>NARROW UNITS</b>				
DWN-2-120	21" x 27 3/4"	26 5/8" 533 x 705 x 676	182 82.6	120V, 7.5A, 900W
DWN-2-240	21" x 27 3/4"	26 5/8" 533 x 705 x 676	182 82.6	240V, 3.75A, 900W

## 3-Drawer Units



model #	overall dimensions		weight lbs. kg	electrical data
	width inches	depth x height mm		
<b>WIDE UNITS</b>				
DWW-3-120	29" x 23 3/4"	37" 737 x 591 x 940	268 121.6	120V, 11.25A, 1350W
DWW-3-240	29" x 23 3/4"	37" 737 x 591 x 940	268 121.6	240V, 5.63A, 1350W
<b>NARROW UNITS</b>				
DWN-3-120	29" x 23 3/4"	37" 533 x 705 x 940	268 121.6	120V, 11.25A, 1350W
DWN-3-240	29" x 23 3/4"	37" 533 x 705 x 940	268 121.6	240V, 5.63A, 1350W



**Plug Configurations**

NEMA 5-15P for all 120V units		NEMA 6-15P for all 240V units	
-------------------------------------	--	-------------------------------------	--

**EAGLE GROUP**  
 100 Industrial Boulevard, Clayton, DE 19938-8903 USA  
 Phone: 302-653-3000 or 800-441-8440 • Fax: 302-653-2065  
 www.eaglegrp.com • www.eaglegrpnews.com • www.eaglehmc.com

Printed in U.S.A.  
 ©2022 by Eagle Group  
 Rev. 12/22

Spec sheets available for viewing, printing or downloading from our online literature library at our websites

Although every attempt has been made to ensure the accuracy of the information provided, we cannot be held responsible for typographical or printing errors. Information and specifications are subject to change without notice. Please confirm at time of order.