

MODEL: **IDC-VAR12HFG**

**DISPLAY CASES GELATO – Flat Glass**

### General Strengths

- ✓ **Sanitation.** Each cabinet has a drain at the bottom of the unit. When cleaning the unit make sure the drain hose is routed to a floor drain.
- ✓ **Control systems.** Higher precision in managing temperature settings. Greater ability to adjust temperature ranges as per the end user's requirement.
- ✓ **100% Tested.** All condenser units are tested 100%, in helium chambers to refrigerant leak detections.
- ✓ **Modular Line.** Designed for gelato.
- ✓ **Certified.** Audited and Certified by **INTERTEK** for compliance with UL 471 and NSF 7. AENOR audited and certified by internationally recognized firm. ISO 9001:2008 (Quality); ISO 14001:2004 (Environmental); OSHAS 18001:2007 (Prevention and Worker Safety)
- ✓ **Lighting.** Interior cabinet includes LED lighting, for brighter lighting and energy efficiency. LED saves 90% more energy compared to traditional fluorescent bulbs. Increases product visibility considerably.

**Important:** Remove gelato products every night and store them inside a regular freezer, to allow proper defrost cycle and cleaning on the equipment.



MODEL	Dimensions (inches) (mm)			Sides	Nº Pans	Ref.	Ref. Weight (Lbs.) (gr.)	Temp. Range (°F) (°C)	Capacity (Cu. Ft.) (L)	Cond. Unit. H.P.	Case Amps	Crated Weight (Lbs.) (Kg.)
	W	D	H									
IDC-VAR12HFG	49-1/4	43-7/8	52	1-3/16+1-3/16	14	R404A	1.98	-2°F/+5°F	3.45	1-1/4	5.8 (230V)	765
	1250	1115	1320	30+30								

ETL LISTED TO UL471 STANDARD AND SANITATION CLASSIFIED TO NSF7 – WE RESERVE THE RIGHT TO CHANGE SPECIFICATIONS WITHOUT PRIOR NOTICE

**MODEL: IDC-VAR12HFG**
**DISPLAY CASES GELATO – Flat Glass**
**STANDARD FEATURES**
**➤ Exterior**

- White compact quartz worktop,
- Tilt forward frontal tempered glass system,
- DM lacquered decoration, White RAL 9016 or Black RAL 9017 standard decoration,
- Built-in casters and levelling feet.
- Pull down night curtain on the back,

**➤ Interior**

- AISI 304 Stainless Steel exhibition area,
- **LED Lighting** in the back and front,
- Case is compatible with standard 5 Liter Gelato Pans (13-1/8"x6-1/2"x5-7/8"), pans included.

**OPTIONAL FEATURES**

- ✓ Customizable decoration for lower front and side panels,
- ✓ Optional decoration: Red RAL 3001, Blue RAL 5015, Pink RAL 3504035,
- ✓ Electrical connection is 220-230 V / 1ph / 50 Hz (plug type varies).

**➤ Insulation**

- CFC-Free polyurethane insulation, entire cabinet structure is foamed-in place using a high-density polyurethane insulation,
- Low GWP & Zero ODP effect.

**➤ Refrigeration**

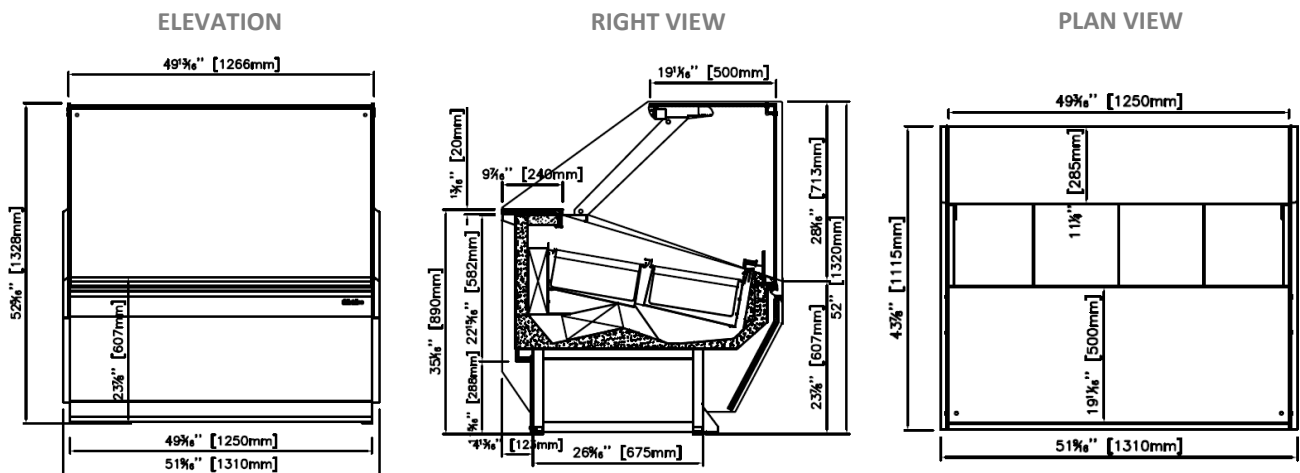
- Digital temperature controller with automatic hot gas defrost system,
- Temperature display on front,
- Stainless steel evaporative pan,
- Forced air refrigeration system,
- Case engineered to operate at 75°F (25°C). and 55% relative humidity,
- Refrigeration capacity: 3275 Btu/h(-31°F)/ 960 W(-35°C).

**➤ Electrical**

- Cord and NEMA L14-30P plug,
- Electrical connection is 230V (Compressor) and 115V (Digital Control) / 1ph / 60 Hz.



- **ETL Listed to UL471 Standard and Sanitation classified to NSF7.**

**PLAN VIEW**


ETL LISTED TO UL471 STANDARD AND SANITATION CLASSIFIED TO NSF7 – WE RESERVE THE RIGHT TO CHANGE SPECIFICATIONS WITHOUT PRIOR NOTICE