



PROJECT

ITEM NO:

QUANTITY:

Equipment Stand

Stainless Steel Leg & Undershelf Series

FEATURES & CONSTRUCTION:

- Top is fabricated with 1-1/2" rounded front edge and 2" high splash guard at rear and both sides.
- Stand front edge formed with hemmed edge to provide extra rigidity and safe to touch finish.
- Reinforced Stand top with two galvanized steel sound deadening hat channels.
Note: Three sound deadening hat channels on 30" deep stands.
- Adjustable galvanized steel undershelf secured to legs with aluminum die cast clamps allowing undershelf to be approximately 2" wider and 2" deeper than leg tube welded to undershelf style.
- All exposed welded areas smooth polished to brush finish sanitary #4.
- Welded stainless steel leg sockets with two point leg fastening.
- All tables shipped K.D., but easily assembled.



NSF STD.2
Certified



SMES-2448S

MATERIAL:

Top: 16 Gauge Stainless Steel - 400 series

Shelf: 18 Gauge Stainless Steel - 400 series

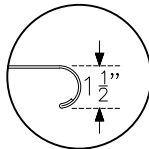
Leg: 1-5/8" Stainless Steel Tubing with 1" Adjustable Stainless Steel Bullet Feet



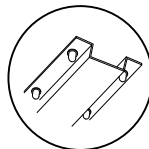
* 60" stands and longer come with 6 legs

SMES-3084S

MODEL#	SIZE		
	D	L	H
SMES-2412S	24"	12"	24"
SMES-2418S		18"	
SMES-2424S		24"	
SMES-2430S		30"	
SMES-2436S		36"	
SMES-2448S		48"	
SMES-2460S		60"	
SMES-2472S		72"	
SMES-3012S	30"	12"	24"
SMES-3018S		18"	
SMES-3024S		24"	
SMES-3030S		30"	
SMES-3036S		36"	
SMES-3048S		48"	
SMES-3060S		60"	
SMES-3072S		72"	
SMES-3084S		84"	
SMES-3096S		96"	



Rolled Rim Edge Front Edge Reinforced with Hemmed Edge



Hat Channel Reinforced Top. Attached to Underside of Top via Studs Welded to Underside of Top, Adhesive and Stainless Steel Acorn Nuts.



Aluminum Die Cast Clamp For Adjustable Undershelf



Stainless Steel Bullet Feet 1" Adjustable



Rev. 01/21

SAPPHIRE MANUFACTURING

Tel: 718-543-2111

Fax: 718-543-2121

info@sapphiremanufacturing.com

WWW.SAPPHIREMANUFACTURING.COM



PROJECT

ITEM NO:

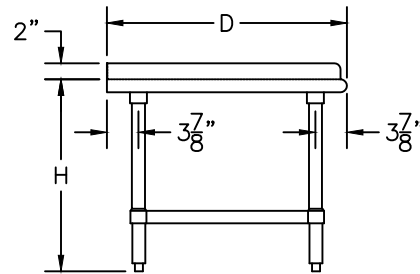
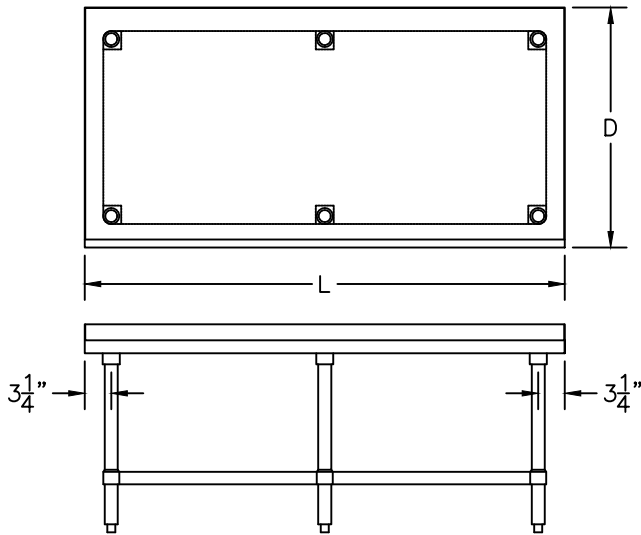
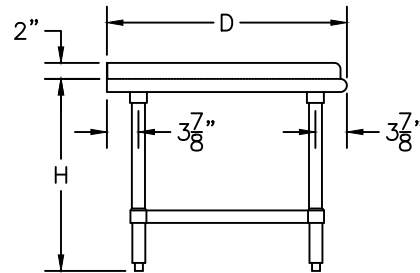
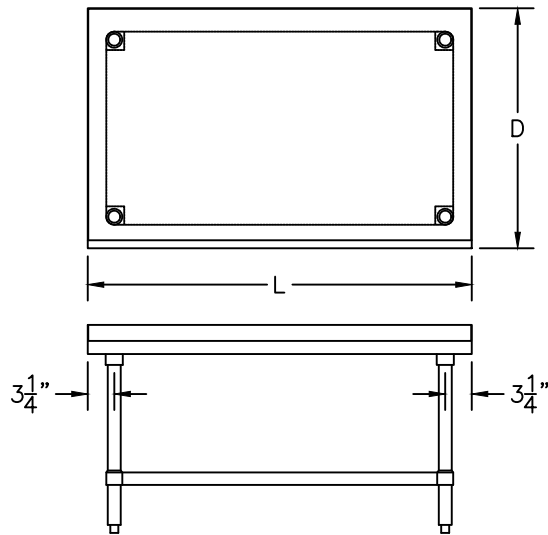
QUANTITY:

Equipment Stand

Stainless Steel Leg & Undershelf Series



NSF STD.2
Certified



* 60" and longer come with 6 legs

Specifications subject to change without notice.

All dimensions are typical (Tolerance 1/2").



Rev. 01/21

SAPPHIRE MANUFACTURING
Tel: 718-543-2111
Fax: 718-543-2121

info@sapphiremanufacturing.com
WWW.SAPPHIREMANUFACTURING.COM