



STAINLESS STEEL
REGALINE SINKS
Four Compartments - One Drainboard
 (Specify Drainboard Location)



93 & 9 SERIES
Adjustable Side Cross-Bracing



94 SERIES
Adjustable Side & Front Cross-Bracing

YES! It's SeaLess!



Item #: _____ Qty #: _____

Model #: _____

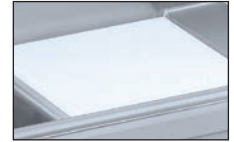
Project #: _____



93 & 9 Series Adjustable Side Cross-Bracing



94 Series Adjustable Side & Front Cross-Bracing



Recessed Bowl Surface Accommodates Poly-Vance Cutting Boards & Sink Covers

FEATURES:

Tile edge for ease of installation.

One piece **Deep Drawn** sink bowls with integral drainboards with splash.

All sink bowls have a large liberal 3" radius.

"94" Series is supplied with adjustable front and side cross braces featuring leg clamps.

"93" & "9" Series is supplied with adjustable side cross braces featuring leg clamps.

CONSTRUCTION:

All TIG welded.

Welded areas blended to match adjacent surfaces and to a satin finish.

MATERIALS:

Spec-Line (94 Series): 14 gauge type 304 stainless steel
11" High Splash.

Standard (93 Series): 16 gauge type 304 stainless steel
8" High Splash.

Super Saver (9 Series): 18 gauge type 304 stainless steel
8" High Splash.

- LEGS:**
- 1 5/8" diameter tubular stainless steel.
 - Stainless steel gussets.
 - Stainless Steel 1" adjustable bullet feet.

| Bowl Size | O.A. Length | DRBD. Size | SPEC-LINE 94 Series | | STANDARD 93 Series | | SUPER SAVER 9 Series | | Cu. Ft. |
|---------------------------------------------------------------------------------------------------------------------------------------|-------------|------------|------------------------------------------|----------------------------|------------------------------------------|----------------------------|------------------------------------------|---------------------------|---------|
| | | | Model # | WT. | Model # | WT. | Model # | WT. | |
| 16" x 20" | 96" | 18" | 14 Ga. 304 S/S 14" Water Level | 94-4-72-18R or L 202 lbs. | 16 Ga. 304 S/S 12" Water Level | 93-4-72-18R or L 165 lbs. | 18 Ga. 304 S/S 12" Water Level | 9-4-72-18R or L 158 lbs. | 52 |
| | 102" | 24" | | 94-4-72-24R or L 216 lbs. | | 93-4-72-24R or L 186 lbs. | | 9-4-72-24R or L 175 lbs. | 54 |
| | 114" | 36"* | | 94-4-72-36R or L 260 lbs. | | 93-4-72-36R or L 238 lbs. | | 9-4-72-36R or L 227 lbs. | 60 |
| 20" x 20" | 112" | 18" | | 94-24-80-18R or L 299 lbs. | | 93-24-80-18R or L 241 lbs. | | 9-24-80-18R or L 229 lbs. | 61 |
| | 118" | 24" | | 94-24-80-24R or L 320 lbs. | | 93-24-80-24R or L 250 lbs. | | 9-24-80-24R or L 239 lbs. | 82 |
| | 130" | 36"* | | 94-24-80-36R or L 341 lbs. | | 93-24-80-36R or L 267 lbs. | | 9-24-80-36R or L 250 lbs. | 90 |
| 24" x 24" | 134" | 24" | | 94-44-96-24R or L 354 lbs. | | 93-44-96-24R or L 336 lbs. | | 9-44-96-24R or L 327 lbs. | 92 |
| | 146" | 36"* | | 94-44-96-36R or L 376 lbs. | | 93-44-96-36R or L 355 lbs. | | 9-44-96-36R or L 344 lbs. | 100 |
| 20" x 28" | 112" | 18" | | 94-84-80-18R or L 348 lbs. | | 93-84-80-18R or L 329 lbs. | | 9-84-80-18R or L 317 lbs. | 87 |
| | 118" | 24" | | 94-84-80-24R or L 364 lbs. | | 93-84-80-24R or L 337 lbs. | | 9-84-80-24R or L 329 lbs. | 91 |
| | 130" | 36"* | | 94-84-80-36R or L 382 lbs. | | 93-84-80-36R or L 355 lbs. | | 9-84-80-36R or L 347 lbs. | 100 |
| * Regalines with 36" Drainboards are Supplied with Two Additional Legs (per drainboard) for Support. All Sinks Require Two Faucets | | | 14" Water Level 18" Flood Level | | 12" Water Level 16" Flood Level | | 12" Water Level 16" Flood Level | | |

Weights & Cubes Are Approximate



Customer Service Available To Assist You 1-800-645-3166 8:30 am - 7:00 pm E.S.T.

For Orders & Customer Service:
 Email: customer@advancetabco.com or Fax: 631-242-6900

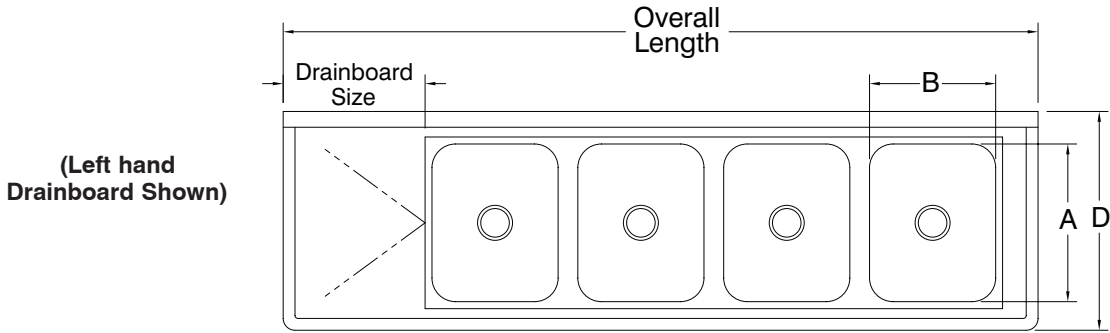
For Smart Fabrication™ Quotes:
 Email: smartfab@advancetabco.com or Fax: 631-586-2933

DIMENSIONS and SPECIFICATIONS

TOL Overall: ± .500"
Interior: ± .250"

ALL DIMENSIONS ARE TYPICAL

(SPECIFY DRAINBOARD LOCATION)



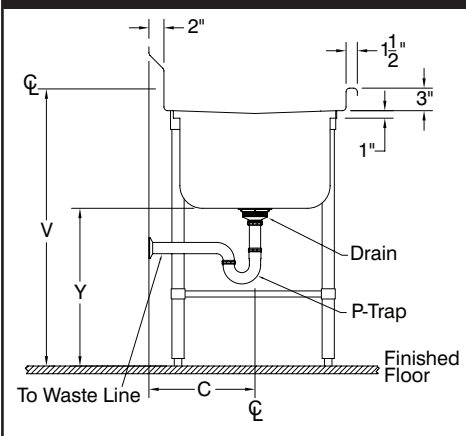
DESCRIPTION

| BOWL SIZE | Overall Length | DRBD SIZE | Recommended Use | A | B | C | D | 94 SERIES | | | | | 9 & 93 SERIES | | | | |
|-----------|----------------|-----------|------------------|-----|-----|---------|-----|-----------|-----|-----|-----|-----|---------------|----|-----|-----|-----|
| | | | | | | | | V | W | X | Y | Z | V | W | X | Y | Z |
| 16"x20" | 96" | 18" | DISH SINKS | 20" | 16" | 14 1/8" | 28" | 38" | 11" | 14" | 19" | 45" | 38" | 8" | 12" | 21" | 42" |
| | 102" | 24" | | | | | | | | | | | | | | | |
| | 114" | *36" | | | | | | | | | | | | | | | |
| 20"x20" | 112" | 18" | DISH & POT SINKS | 20" | 20" | 14 1/8" | 28" | 38" | 11" | 14" | 19" | 45" | 38" | 8" | 12" | 21" | 42" |
| | 118" | 24" | | | | | | | | | | | | | | | |
| | 130" | *36" | | | | | | | | | | | | | | | |
| 24"x24" | 134" | 24" | POT SINKS | 24" | 24" | 16 1/8" | 32" | 38" | 11" | 14" | 19" | 45" | 38" | 8" | 12" | 21" | 42" |
| | 146" | *36" | | | | | | | | | | | | | | | |
| 20"x28" | 112" | 18" | PAN SINKS | 28" | 20" | 18 1/8" | 36" | 38" | 11" | 14" | 19" | 45" | 38" | 8" | 12" | 21" | 42" |
| | 118" | 24" | | | | | | | | | | | | | | | |
| | 130" | *36" | | | | | | | | | | | | | | | |

All Sinks Require Two Faucets

* Regalines with 36" Drainboards are Supplied with Two Additional Legs (per drainboard) for Support.

PLUMBING ROUGH-IN



MECHANICAL:

- Supply is 1/2" IPS hot & cold.
- Faucet holes on 8" centers.
- Faucets are not included (see accessories).
- Waste drains are 1 1/2" IPS S/S basket type, located in center of sink bowl, and are included.



SECTION

