



EKFA 464 N TUD

FOUR-TRAY, FULL-SIZE CONVECTION OVEN WITH HUMIDITY, LEFT-OPENING DOOR, DIGITAL CONTROL

FEATURES

- Maximum cooking capacity in a small space
- Lateral supports for 4 trays at 3 17/64" pitch
- (4) 18" x 26" stainless-steel grids *INCLUDED*
- (8) Half-size (13"x18") tray capacity side-by-side (on grids)
- Temperature range 200 to 500° F
- Steam injection
- Stainless-steel cooking chamber
- Programmable digital control panel
- 99 multi-step program capacity
- Bi-directional fan
- High-performance oven insulation
- High-efficiency motor and fan
- Recessed door gasket
- Right-hinged (left-opening) dual-paned glass door
- Internal glass designed to facilitate easy cleaning
- Timed or infinite cooking mode
- Internal halogen light
- Extended warranty options available



Conforms to the following standards:

- Standard safety UL 197
- CSA C 22.2 No. 109:2017
- Sanitation NSF / ANSI 4-2020



Tecnoeka, Inc.
3385 Denver Drive
Denver, North Carolina 28037

Web Site: www.tecnoeka.com
E-mail: info.usa@tecnoeka.com
Toll Free: 888-626-EKA1 (3521)



Printed in the U.S.A.
August 2024

EKFA 464 N TUD

DIMENSIONS	NET	
Width	32.3 in	31 in
Depth	32.6 in	36 in
Height	25.7 in	36 in
Weight	132 lb	170 lb

UTILITY CONNECTIONS

All utility connections should be within three feet of the centerline of the back of the oven when installed.

Water supply: cold-water supply (max 86°F) connected to 3/4" NPT connection.

Water pressure: Pressure at oven water inlet: 15-30 psi.

Drain size should be a minimum of 1" diameter and either a cup or floor drain with an 1" air gap.

ELECTRICAL

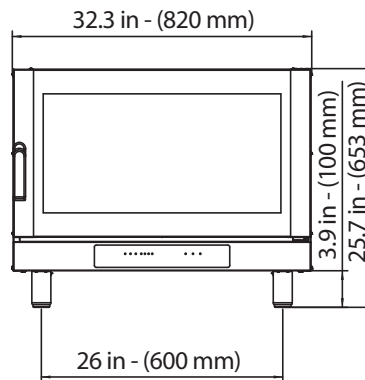
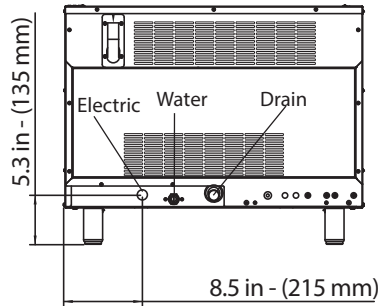
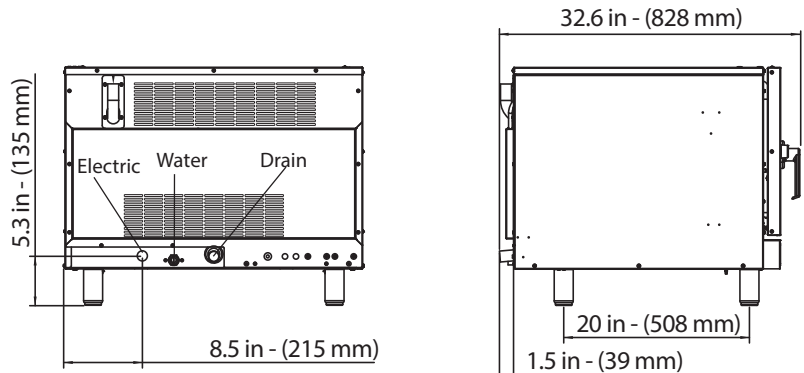
Power:	4.9-6.2kW
Frequency:	60 Hz
Voltage (AC):	208/240v
Current:	23.5-26.0A
Cable:	NOT SUPPLIED
Plug:	NOT SUPPLIED
Breaker size:	40A (recommended)

WATER QUALITY SPECIFICATIONS

Free Chlorine:	< 0.1	ppm
Hardness:	30-70	ppm
Chloride:	< 30	ppm
Total Dissolved Solids:	50-125	ppm
Silica:	< 12	ppm
pH:	7.0 - 8.5	
Chloramine:	< 0.1	ppm
Alkalinity:	< 150	ppm (CaCO ₃)

AVAILABLE OPTIONS AND ACCESSORIES

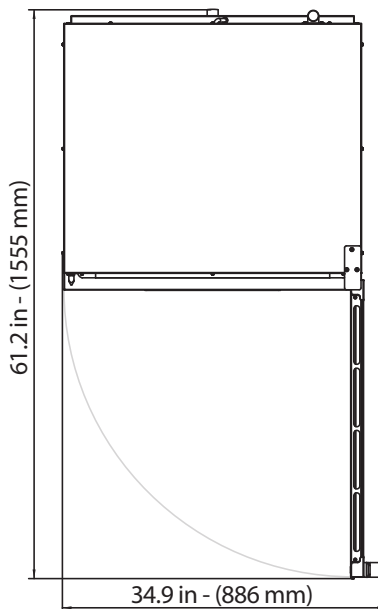
Table - standard height (31.14")	EKTAS 464
Table - w/casters (34.76")	EKTARS 464
18" x 26" stainless-steel grid	EKGAFSX
Spray kit with support and tube	EKKD



* Oven must be installed a minimum of 19.7" (500 mm) from any significant source of heat and/or grease (for example: fryers, burners, kettles, open flames, etc.)

Other surfaces must maintain a minimum of 3.94" (100mm) clearance.

Tecnoeka is not responsible for damage to the oven caused by any external heat source.



Tecnoeka, Inc.
3385 Denver Drive
Denver, North Carolina 28037

Web Site: www.tecnoeka.com
E-mail: info.usa@tecnoeka.com
Toll Free: 888-626-EKA1 (3521)



Printed in the U.S.A.
August 2024