



PROJECT \_\_\_\_\_

ITEM NO: \_\_\_\_\_

QUANTITY: \_\_\_\_\_

# Work Table Crossbar

## FEATURES & CONSTRUCTION:

- Adjustable crossbar secured to legs with aluminum die cast fittings allowing crossbar to be approximately 2" wider and 2" deeper than leg tube
- Can be used with the following Sapphire models: SMT, SMTB, SMES, SMEFT, SMTO, SMTOB and SMTPS
- One set crossbar included with models SMTO & SMTOB

## MATERIAL:

Available in 18 Ga. galvanized or stainless steel



NSF STD.2 Certified

4 LEG HOLE SERIES



6 LEG HOLE SERIES



14" DEPTH SERIES	MODEL#		# OF LEG HOLES	OVERALL SIZE			POST TO POST CENTER POINT	
	GALVANIZED STEEL	STAINLESS STEEL		L	D	H	L1	D1
	SM-CB-1424G	SM-CB-1424S		4	19"	9.375"	1.5"	17"
SM-CB-1430G	SM-CB-1430S	25"	23"					
SM-CB-1436G	SM-CB-1436S	31"	29"					
SM-CB-1448G	SM-CB-1448S	43"	41"					
SM-CB-1460G	SM-CB-1460S	55"	53"					
SM-CB-1472G	SM-CB-1472S	67"	65"					
SM-CB-1484G	SM-CB-1484S	6	79"			77"		
SM-CB-1496G	SM-CB-1496S		91"			89"		
SM-CB-14108G	SM-CB-14108S		103"			101"		
SM-CB-14120G	SM-CB-14120S		115"			113"		

18" DEPTH SERIES	MODEL#		# OF LEG HOLES	OVERALL SIZE			POST TO POST CENTER POINT	
	GALVANIZED STEEL	STAINLESS STEEL		L	D	H	L1	D1
	SM-CB-1824G	SM-CB-1824S		4	19"	13.125"	1.5"	17"
SM-CB-1830G	SM-CB-1830S	25"	23"					
SM-CB-1836G	SM-CB-1836S	31"	29"					
SM-CB-1848G	SM-CB-1848S	43"	41"					
SM-CB-1860G	SM-CB-1860S	55"	53"					
SM-CB-1872G	SM-CB-1872S	67"	65"					
SM-CB-1884G	SM-CB-1884S	6	79"			77"		
SM-CB-1896G	SM-CB-1896S		91"			89"		
SM-CB-18108G	SM-CB-18108S		103"			101"		
SM-CB-18120G	SM-CB-18120S		115"			113"		

24" DEPTH SERIES	MODEL#		# OF LEG HOLES	OVERALL SIZE			POST TO POST CENTER POINT	
	GALVANIZED STEEL	STAINLESS STEEL		L	D	H	L1	D1
	SM-CB-2424G	SM-CB-2424S		4	19"	19"	1.5"	17"
SM-CB-2430G	SM-CB-2430S	25"	23"					
SM-CB-2436G	SM-CB-2436S	31"	29"					
SM-CB-2448G	SM-CB-2448S	43"	41"					
SM-CB-2460G	SM-CB-2460S	55"	53"					
SM-CB-2472G	SM-CB-2472S	67"	65"					
SM-CB-2484G	SM-CB-2484S	6	79"			77"		
SM-CB-2496G	SM-CB-2496S		91"			89"		
SM-CB-24108G	SM-CB-24108S		103"			101"		
SM-CB-24120G	SM-CB-24120S		115"			113"		

30" DEPTH SERIES	MODEL#		# OF LEG HOLES	OVERALL SIZE			POST TO POST CENTER POINT	
	GALVANIZED STEEL	STAINLESS STEEL		L	D	H	L1	D1
	SM-CB-3024G	SM-CB-3024S		4	19"	25"	1.5"	17"
SM-CB-3030G	SM-CB-3030S	25"	23"					
SM-CB-3036G	SM-CB-3036S	31"	29"					
SM-CB-3048G	SM-CB-3048S	43"	41"					
SM-CB-3060G	SM-CB-3060S	55"	53"					
SM-CB-3072G	SM-CB-3072S	67"	65"					
SM-CB-3084G	SM-CB-3084S	6	79"			77"		
SM-CB-3096G	SM-CB-3096S		91"			89"		
SM-CB-30108G	SM-CB-30108S		103"			101"		
SM-CB-30120G	SM-CB-30120S		115"			113"		

36" DEPTH SERIES	MODEL#		# OF LEG HOLES	OVERALL SIZE			POST TO POST CENTER POINT	
	GALVANIZED STEEL	STAINLESS STEEL		L	D	H	L1	D1
	SM-CB-3636G	SM-CB-3636S		4	31"	31"	1.5"	29"
SM-CB-3648G	SM-CB-3648S	43"	41"					
SM-CB-3660G	SM-CB-3660S	55"	53"					
SM-CB-3672G	SM-CB-3672S	67"	65"					
SM-CB-3684G	SM-CB-3684S	79"	77"					
SM-CB-3696G	SM-CB-3696S	91"	89"					
SM-CB-36108G	SM-CB-36108S	6	103"			101"		
SM-CB-36120G	SM-CB-36120S		115"			113"		



SAPPHIRE MANUFACTURING  
Tel: 718-543-2111  
Fax: 718-543-2121

info@sapphiremanufacturing.com  
WWW.SAPPHIREMANUFACTURING.COM



PROJECT

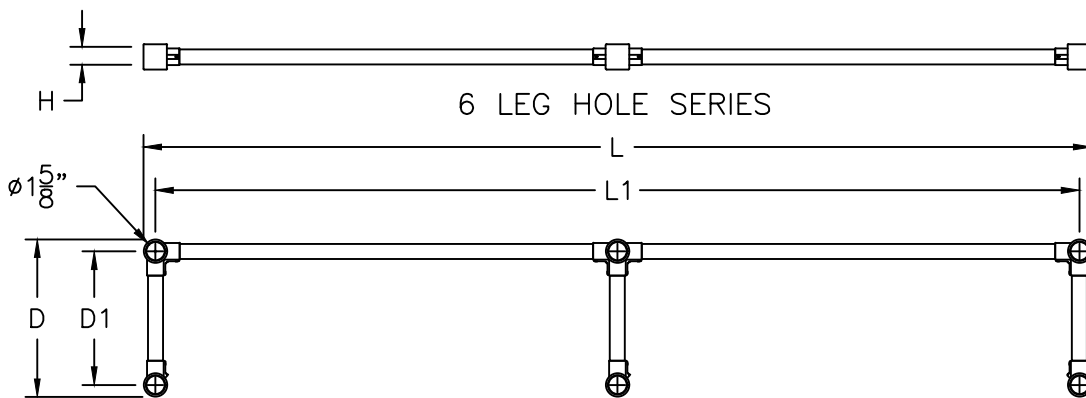
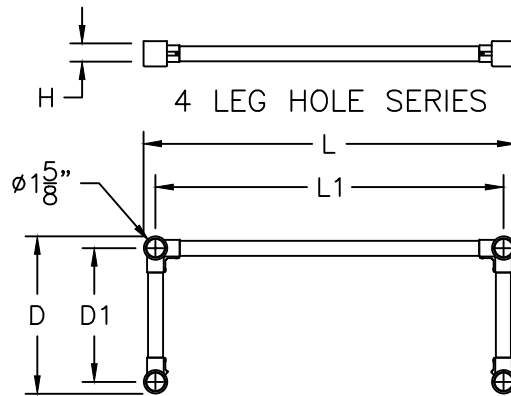
ITEM NO: \_\_\_\_\_

QUANTITY: \_\_\_\_\_

# Work Table Crossbar



NSF STD.2  
Certified



Rev. 05/24

SAPPHIRE MANUFACTURING  
Tel: 718-543-2111  
Fax: 718-543-2121

info@sapphiremanufacturing.com  
WWW.SAPPHIREMANUFACTURING.COM