



# T-REX

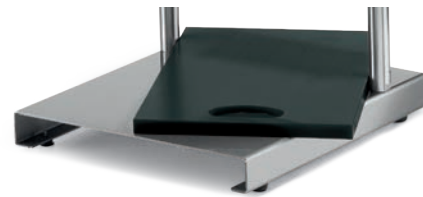
## Manual meat tenderizer



T-REX

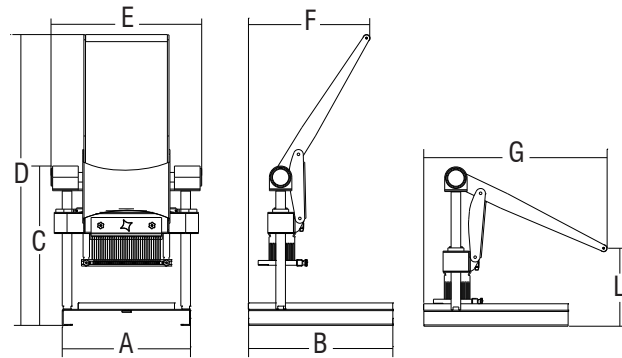


Easy and fast breakdown for cleaning



Movable cutting board

- Complete stainless steel construction
- The blade carriage slides on sealed bearings along stainless steel rods, springs are fully enclosed to prevent entry of moisture and debris
- Provides the advantage of tenderizing a whole block of meat before slicing it.
- No fiber tearing or shape changing for a tender eye appealing and chewable product.
- Movable and removable cutting board for convenience of operation
- Easy breakdown and assembly of the blade set consisting of 32 removable and replaceable blade strips
- Clearance 43/4" - 30 square inch area / cycle



	Working height max	Cutting board	Blades	A	B	C	D	E	F	G	L	Net weight	Shipping	Gross weight
	inch.	inch.	n.	inch.	inch.	inch.	inch.	inch.	inch.	inch.	inch.	lbs.	inch.	lbs.
T-REX	43/4"	12" x 173/4"	32	1711/16"	153/4"	199/16"	3511/16"	181/2"	147/8"	221/2"	99/16"	55	283/8" x 305/16" x 227/16"	77