

Vertical Gas Broiler

Model: VGB3

Heavy-duty vertical broiler designed for medium to high volume operations. Top-mounted motor is protected from grease and spillage during use, requiring fewer replacements and repairs over time. Smooth, stainless steel surfaces are easy to clean and built to last.



Features

-
- 3x Double burners
- Upper motor drive: 1 rpm, left/right rotation
- Independent heat control knobs for each element (min/max)
- Skewer adjusts backward/forward to desired position
- Safety vent
- Stainless steel construction
- Side panels included
- Fitted for Natural Gas
- Convertible to Liquid Propane (fittings included)

Product Specifications

-
- Meat capacity: 88 lbs (40kg)
- Spit height: 28.7"
- Dimensions: 22.4" L x 17.7" W x 38.9" H
- Net weight: 53 lbs (24 kg)

Gas Specifications

- 33,268 BTU/h
- Each burner capacity: 3.25 kW

Electrical Specifications

- Plug: 110V NPE
- Motor: 3.7W

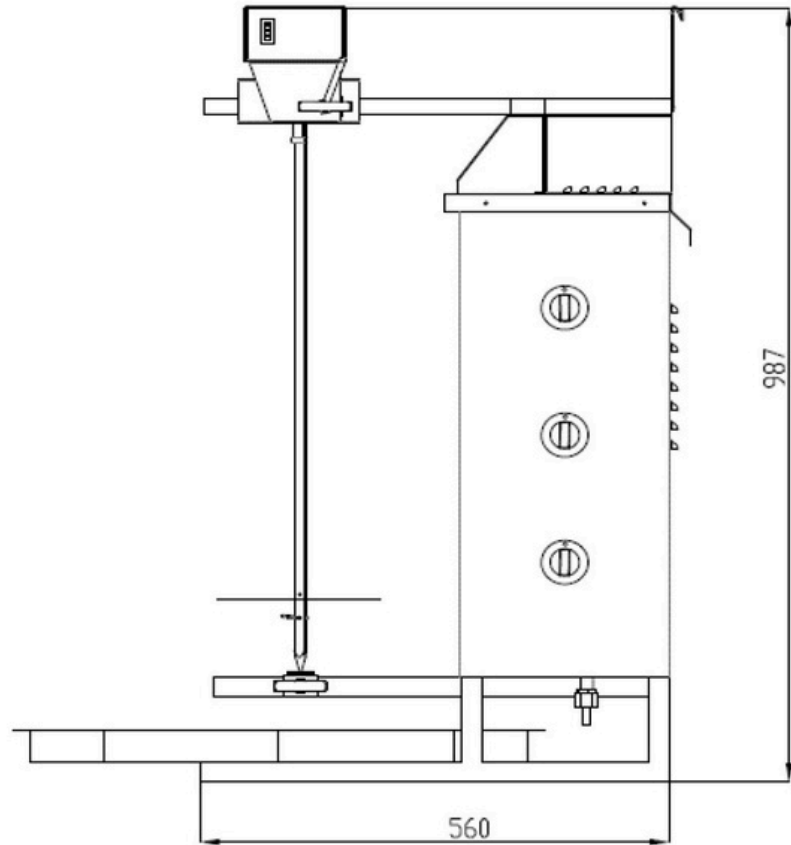
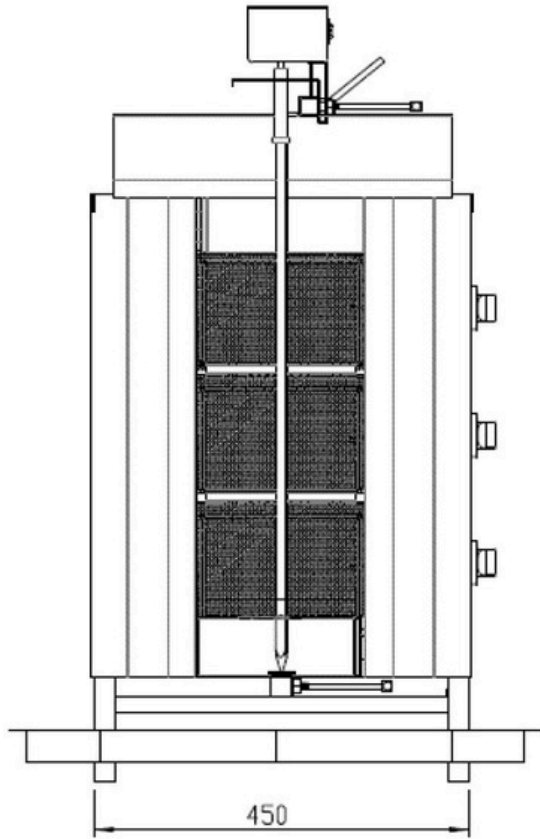
Gas Connection	Natural Gas 7" -8" WC	Propane 10" -13" WC
Size (in.)	Burner Injector Diameter (mm)	
1/2" G	1.35	0.9

Accessory (sold separately)

- VGB3 SPIT: (1 x each) Spit, fixing pin, bottom plate



Note: During use, 8" (20 cm) distance is required between the appliance and the wall.



Width	Depth	Height	Weight
450 mm	560 mm	987 mm	24 kg
17.7"	22.0"	38.9"	53 lbs

Warranty: one year parts & labor

Made in Turkey

Certifications

ANSI-Z83.11

Standard(s) for Gas Food Service Equipment, Ranges and Unit Broilers

CAN/CGA-1.8

Standard(s) for Hotel Restaurant Gas Ranges & Unit Broilers

