

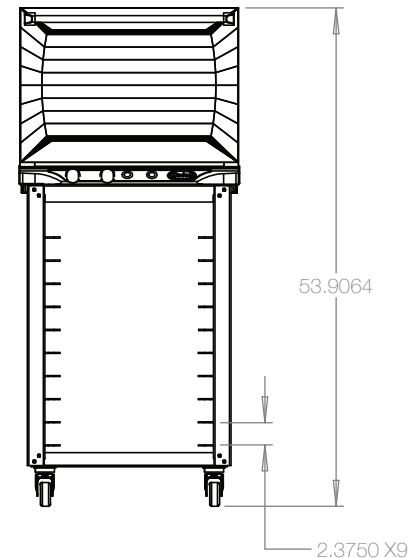
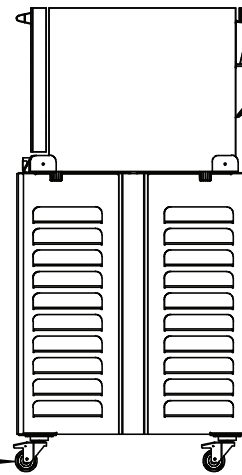
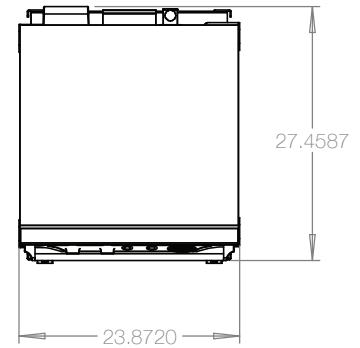
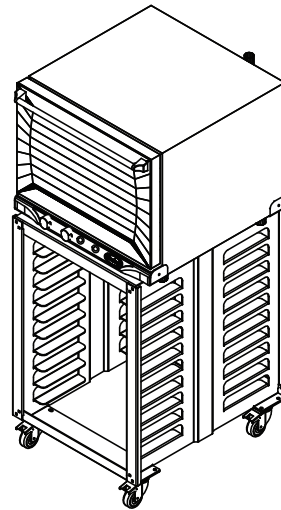


XAF STATIONS

MODEL: XAFS-133

The XAF Station is a heavy duty, manual control oven features one XAF convection oven on the OST Cadco stand, offering enhanced capacity and efficient cooking.

It's compact and easy-to-manage and perfect for establishments requiring high-volume cooking with minimal space.



CASTERS
2 LOCKING
2 TOTAL LOCKING

SPEC FOR XAF-133

Unit Dimensions (W" x H" x D"): 23 5/8 x 20 x 28 1/8
Cavity Size (W" x H" x D"): 19 1/2 x 13 x 15 1/2; 2.27 cft.
(One fan. NEMA 6-20P plug)
Shelves: 4 Volts: 208-240 Watts: 2700 Amps: 20

SPEC FOR OST-195-C

Handles 10 full size sheetpans (not included)
Aluminum (assembly required)
Silent casters (2 with brakes, 2 with directional locks)
Unit: 31.71" W x 36.78" H x 27" D

XAFS-133 will ship one pallet. Pallet #1: 38x35x56 (250lbs)

