

Blueair by BLUENIX

MODEL BLIB-500S

ICE BINS

Designed to prevent
water overflow and
increase ventilation..



Intertek



Stainless steel cabinet construction

With blue bin door and trim.
Polyethylene bin liner for sanitary
storage.



Surfaces are designed for easy cleaning.

Simplifying Maintenance and
Hygiene.



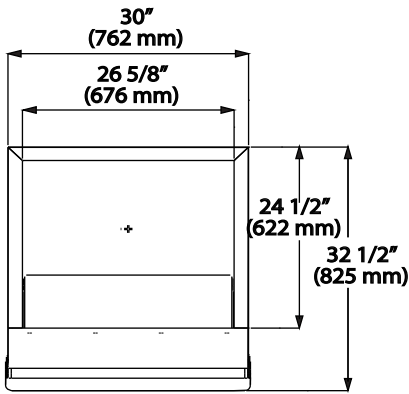
Designed for stacked ice machine.

Optimizing Ice Production and
Storage.

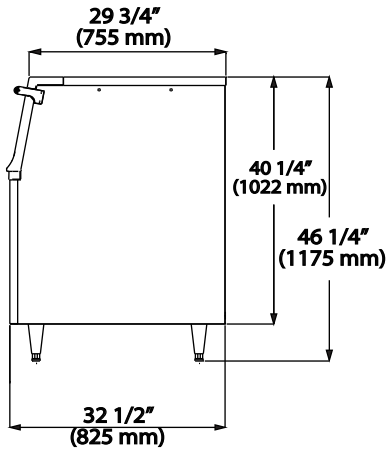
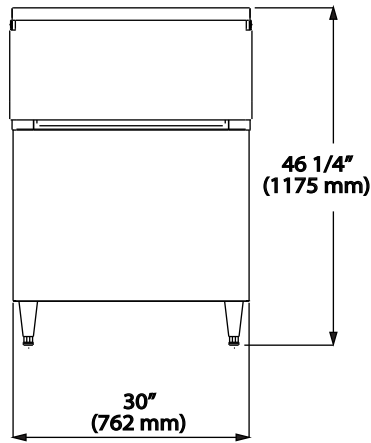
Standard Features

- Ice storage capacity of 460 lbs.
- Foamed-in-place polyurethane insulation, in all bin walls and bottom, provides dependable ice storage.
- For BLMI-500A and BLMI-650A models.
- For BLIB-500S fits all models.

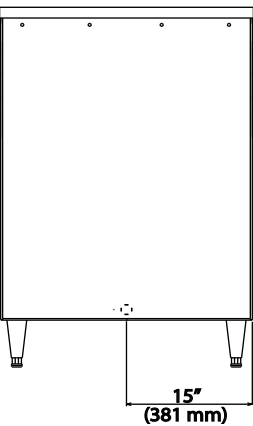
Top view



Front view



Side view



Back view

MODEL BLIB-500S

ICE BINS

Exterior Dimensions (inches)

W	D	H
30"	32 1/2"	46 1/4"

Interior Dimensions (inches)

W	D	H
25 5/16"	27 1/2"	38"

Cubic Volume (cu. ft. / liters)

15.7 cu. ft.
444 L.

Maximum Storage Capacity (lbs / kg)

460 lbs.
208 kg.

Shipping Weight (lbs/kg)

152 lbs
69 kg

	BLMI-300A BLMI-500A (22" Width)	BLMI-500AD (30" Width)	BLMI-650A (22" Width)	BLMI-900A (30" Width)	BLMI-1400R previous (BLMI-1300R) (48" Width)
BLIB-300S (22" Width)	Adapter Not Needed	Combination Not Available	Adapter Not Needed	Combination Not Available	Combination Not Available
BLIB-500S (30" Width)	Need IMBK-8S (Enclosed in BLIB-500S for free)	Need IMBK-30R	Need IMBK-8S (Enclosed in BLIB-500S for free)	Adapter Not Needed	Combination Not Available
BLIB-800S (48" Width)	Need IMBK-8S + IMBK18S (Single Stack) Need IMBK-4M (Double Stack)	Combination Not Available	Need IMBK-8S + IMBK18S (Single Stack) Need IMBK-4M (Double Stack)	Need IMBK-18S	Adapter Not Needed



blueairfse.com



orders@blueairfse.com



223 W. Rosecrans Ave., CA 90248
T: 310-808-0102

9 W. Shelton Terrace #A, Hillside, NJ 07205
T: 470-625-0182

7025 Amwiler industrial Drive, Suite A, Atlanta GA
T: 908-688-0970