



STAINLESS STEEL

# FREE STANDING SERVICE SINKS

Item #: \_\_\_\_\_ Qty #: \_\_\_\_\_  
 Model #: \_\_\_\_\_  
 Project #: \_\_\_\_\_



**DEEP DRAWN SINK BOWL**  
8-OP-16



**FABRICATED SINK BOWL**  
4-OP-18

**FEATURES:**

- Leg mounted design.
- High back splash.
- 3 1/2" Basket drain included.
- 8-OP-16** includes stainless steel adjustable side cross rails (front to back).

**CONSTRUCTION:**

All TIG welded.  
 Welded areas blended to match adjacent surfaces and to a satin finish.

**MATERIAL:**

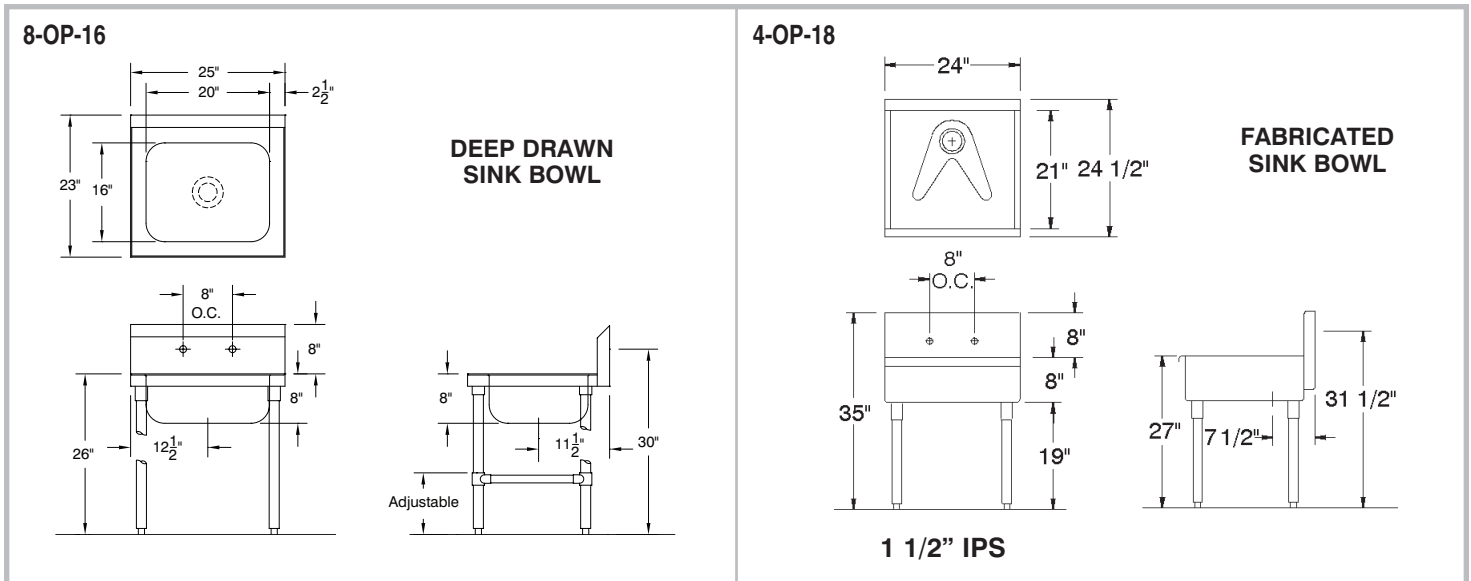
Legs are 18 gauge type "430" stainless steel with 1" adjustable stainless steel bullet feet.  
**4-OP-18** - Heavy gauge type "304" series stainless steel.  
**8-OP-16** - 18 gauge type "304" series stainless steel.

Model #	Bowl Size	O.A. Dimension	Approx. Wt.	Approx. Cu.
8-OP-16	16" x 20" x 8"	25" x 23"	50 lbs.	13
4-OP-18	24" x 21" x 8"	24" x 24 1/2"	50 lbs.	10

## DIMENSIONS and SPECIFICATIONS

TOL ± .500"

ALL DIMENSIONS ARE TYPICAL



**Customer Service Available To Assist You 1-800-645-3166 8:30 am - 8:00 pm E.S.T.**

For Orders & Customer Service:  
 Email: [customer@advancetabco.com](mailto:customer@advancetabco.com) or Fax: 631-242-6900

For Smart Fabrication™ Quotes:  
 Email: [smartfab@advancetabco.com](mailto:smartfab@advancetabco.com) or Fax: 631-586-2933