



Profit from the Eagle Advantage®

Specification Sheet

Short Form Specifications

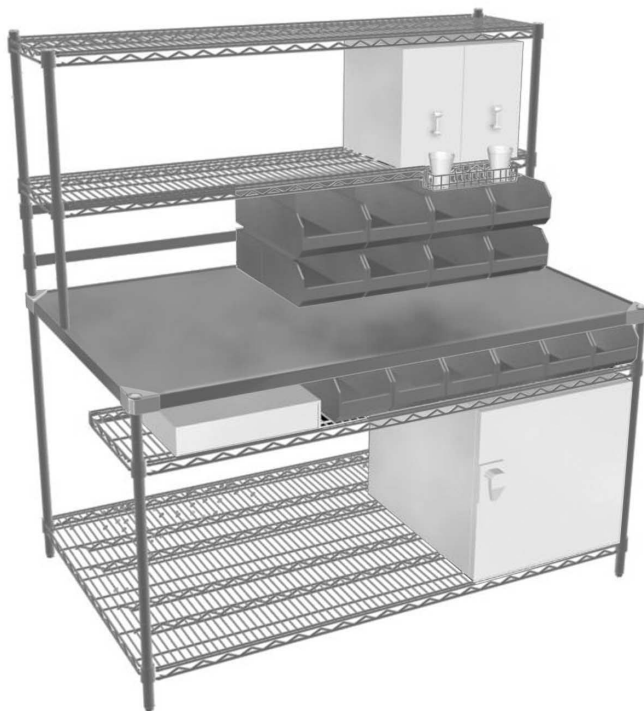
Eagle Drive-Through Task Station, model TSD3660Z, to consist of heavy gauge 36" x 60" galvanized steel tabletop, 36" x 60" wire undershelf, one 12" x 60" cantilever undershelf, two 1460Z EAGLEbrite® zinc-plated wire overshelves with 74" EAGLEbrite® zinc-plated posts, and two bin holders to accommodate 14 standard 5"-deep plastic supply bins.

Item No.:	_____
Project No.:	_____
S.I.S. No.:	_____

Drive-Through Task Station

MODELS:

TSD3660Z



(equipment shown not included)

- Keeps work-related items together.
- Two 14" x 60" (356 x 1524mm) zinc-plated wire shelves for overhead storage. Shelf heights can be adjusted.
- 14 plastic supply bins: 10 1/2" L x 5 1/2" W x 5" D (276 x 140 x 127mm).
- Two chrome-plated full-length bin holders. Heights can be adjusted.
- One 12" (305mm)-wide full-length chrome-plated cantilever shelf mounted to front posts underneath tabletop.
- Posts are numbered and grooved at 1" (25mm) increments for fast and level assembly.
- 18 gauge galvanized steel tabletop with aluminum corner castings.
- 36" x 60" (914 x 1524mm) zinc-plated wire undershelf.
- One 13 3/8" x 5" x 7" (340 x 127 x 178mm) chrome-plated wire basket with two 6-gauge wire S-hooks.
- 34" (864mm) working height.
- 74" (1880mm) overall post height.

EAGLE GROUP

100 Industrial Boulevard, Clayton, DE 19938-8903 USA
 Phone: 302-653-3000 • 800-441-8440 • Fax: 302-653-2065
www.eaglegrp.com
www.eaglegrpnews.com
www.eaglemhc.com

For custom configuration or fabrication needs, contact our **SpecFAB® Division**.
 Phone: 302-653-3000 • Fax: 302-653-2065 • e-mail: quotes@eaglegrp.com



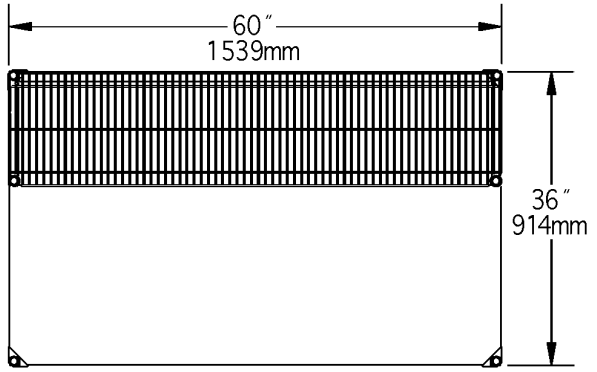
EG01.52 Rev. 06/23

Spec sheets available for viewing, printing or downloading from our online literature library at our websites

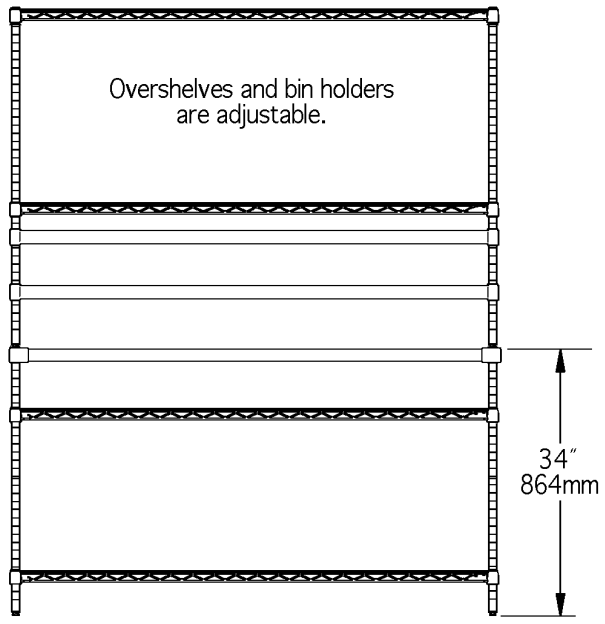


Item No.: _____
 Project No.: _____
 S.I.S. No.: _____

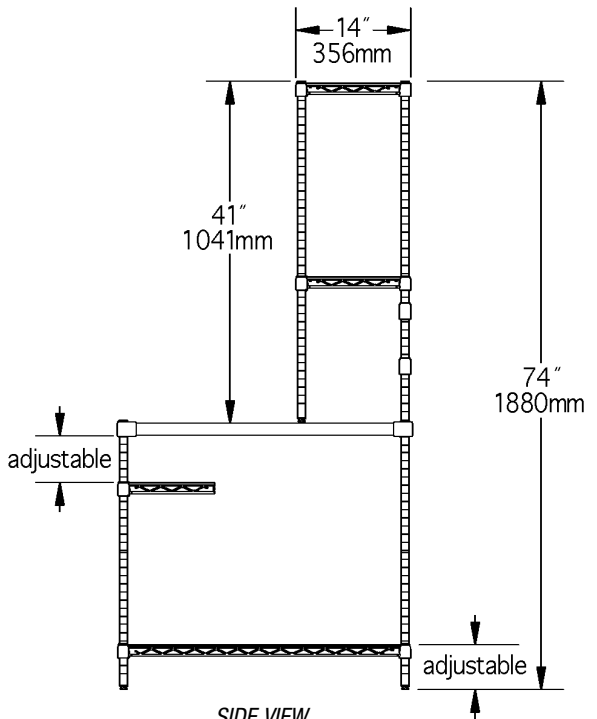
Drive-Through Task Station



TOP VIEW



FRONT VIEW



SIDE VIEW

(Note: shown without supply bins)

model #	width		length		height		weight	
	in.	mm	in.	mm	in.	mm	lbs.	kg
TSD3660Z	36"	914	60"	1524	74"	1880	168	76.2

EAGLE GROUP
 100 Industrial Boulevard, Clayton, DE 19938-8903 USA
 Phone: 302-653-3000 or 800-441-8440 • Fax: 302-653-2065
 www.eaglegrp.com • www.eaglegrpnews.com • www.eaglehmc.com

Printed in U.S.A.
 ©2023 by Eagle Group
 Rev. 06/23

Spec sheets available for viewing, printing or downloading from our online literature library at our websites

Although every attempt has been made to ensure the accuracy of the information provided, we cannot be held responsible for typographical or printing errors. Information and specifications are subject to change without notice. Please confirm at time of order.