

MODEL: IRR-AGB701_1402_MDA_MDAB Dry aging meat cabinet



IRR-AGB701MDA



IRR-AGB701MDAB



IRR-AGB1402MDAB

GENERAL FEATURES

- ✓ **Dry Again meat display case**, designed to carry out the process known as Dry Again in an easy, safe and controlled way, obtaining the best results in terms of flavor, texture and aromas. Interior with guides that allow a perfect hygiene. Its high precision digital controller guarantees optimum temperature and safe food storage.
- ✓ **Higher energy efficiency.** R290 refrigerant with electric fans, LED lighting and evaporative tray without electric resistances.
- ✓ **Sanitation.** Our units feature a hygienic design with rounded corners that have a large radius, making them easy to clean. Additionally, the shelves and runners inside the display can be quickly removed for thorough interior cleaning. Each unit is equipped with a trap at the bottom to facilitate cleaning.
- ✓ **Doors.** Self-closing door system features a permanent pressure mechanism, ensuring a secure closure every time. Our doors also include triple chamber door gaskets that are easy to remove and snap in, ensuring an effective seal. Plus, for added flexibility, our doors are field reversible, allowing for easy installation and use in a variety of settings.
- ✓ **Control System.** Our temperature management system offers unparalleled precision, allowing for highly accurate temperature settings. With greater flexibility in adjusting temperature ranges, our system can be tailored to meet the unique needs of each end user. This ensures optimal performance and maximum satisfaction with every use.
- ✓ **Lighting.** LED lighting in the canopy and cabinet sides reduces the energy consumption by 80% to 90% compared to a traditional bulb, better light quality.
- ✓ **100% Tested.** All condenser units are 100% tested, in helium chambers for refrigerant leak detections.
- ✓ **Certified.** Audited and Certified by INTERTEK for compliance with UL 471 and NSF 7.



Review:00 Date: 07/31/2024 IRR-AGB701_1402_MDA_MDAB

ETL LISTED TO UL471 STANDARD AND SANITATION CLASSIFIED TO NSF7 – WE RESERVE THE RIGHT TO CHANGE SPECIFICATIONS WITHOUT PRIOR NOTICE

MODEL: IRR-AGB701_1402_MDA_MDAB *Dry aging meat cabinet*

STANDARD FEATURES

➤ **Exterior**

- AISI 304 Stainless Steel.
- Black textured, only models IRR-AGB_MDAB.

➤ **Interior**

- AISI 304 Stainless Steel.
- Sealed interior floors and rounded cabinet corners.
- LED lighting.

➤ **Door**

- Self – closing door with stay open feature.
- Stainless Steel heavy-duty hinges.
- Triple chamber snap in door gaskets for easy removal and cleaning. (Only IRR-AGB901PDCR).
- Field reversible door (hardware needed).
- Door locks.
- Full-height door opening: 23" x 53" (584x1346 mm).

➤ **Insulation**

- CFC- Free polyurethane insulation, entire cabinet structure is foamed-in using a high-density polyurethane insulation.
- Low GWP & Zero ODP effect.

➤ **Casters**

- 4" Diameter casters already installed.
- Locks provided on front set.

➤ **Shelving**

- (6) Six plastic coated wire shelves single door with stainless steel tray slides included.
- Dimensions WxD: 25-5/8" x 31-1/2" (600 x 800 mm).

➤ **Refrigeration**

- Digital temperature controller with automatic defrost system.
- Hinged control panel, easily removable.
- **Compact refrigeration system Monoblock, INFRIBLOCK®.**
- Energy-saving non-electric condensate pan.
- Evaporator coil coated with anti-corrosion material 100% Polyester.
- **Refrigeration capacity:**
 IRR-AGB701MDA – 2.120 Btu/h(14°F) / 621 W(-10°C).
 IRR-AGB1402MDA – 3.427 Btu/h(14°F) / 1004 W(-10°C).
 IRR-AGB701MDAB – 2.120 Btu/h(14°F) / 621 W(-10°C).
 IRR-AGB1402MDAB – 3.427 Btu/h(14°F) / 1004 W(10°C).

➤ **Electrical**

- Cord and NEMA 5-15 plug.
- Electrical connection is 115V / 1ph / 60 Hz.



➤ **ETL Listed to UL471 Standard and Sanitation classified to NSF7.**

OPTIONAL FEATURES

- ✓ Stainless Steel wire shelf.
- ✓ Additional slide kits.
- ✓ Set of 6" legs, height adjustable from 5" to 8".
- ✓ Electrical connection is 230 V / 1 ph / 50 Hz (Plug type and consumption varies),
 Models; AGB701MDA_MDAB: 5,04A
 AGB1402MDA_MDAB: 8.01 A.
- ✓ Stainless steel legs, height adjustable from 5-7/64 x 7-5/64" (130-180mm).

Review:00 Date: 07/31/2024 IRR-AGB701_1401_MDA_MDAB

ETL LISTED TO UL471 STANDARD AND SANITATION CLASSIFIED TO NSF7 – WE RESERVE THE RIGHT TO CHANGE SPECIFICATIONS WITHOUT PRIOR NOTICE

MODEL: IRR-AGB701_1402_MDA_MDAB Dry aging meat cabinet

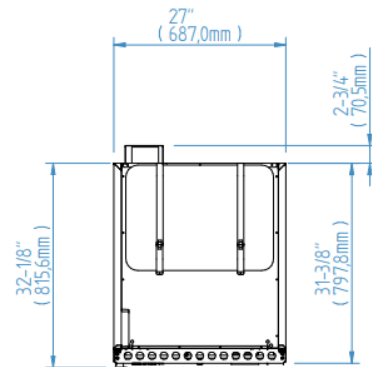
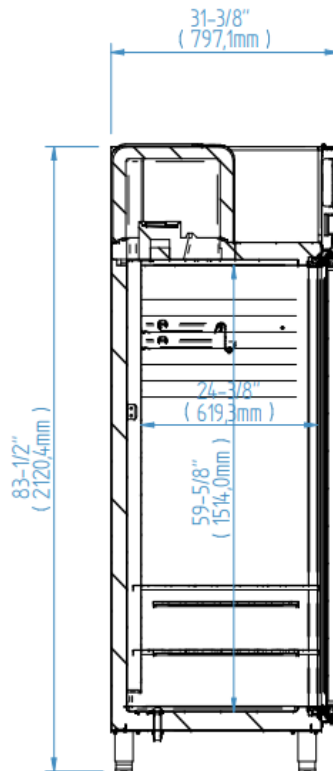
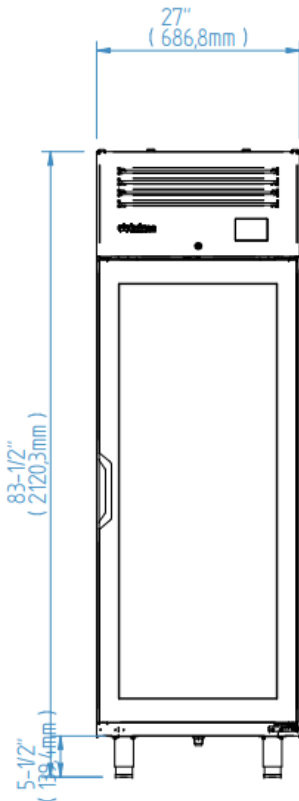
MODELS	Dimensions (inches) (mm)			Doors	Shelves	Ref	Ref. Weight (Lbs.) (gr.)	Temperature Range (°F) (°C)	Capacity (Cu.Ft.) (L)	Cond. Unit. c.c	Case Amps 115V	Crated weight (Lbs.) (kg.)
	W	D	H									
IRR-AGB701MDA	27 (686,8)	31-3/8 (797,1)	83-1/2 (2.120)	1	6	R290	0,28 (130)	32°F / 61°F (+0°C/+16°C)	19,7 (560)	1/3	7,20	370 (168)
IRR-AGB701MDAB	27 (686,8)	31-3/8 (797,1)	83-1/2 (2.120)	1	6	R290	0,28 (130)	32°F / 61°F (+0°C/+16°C)	19,7 (560)	1/3	7,20	370 (168)
IRR-AGB1402MDA	54-3/8 (1374,7)	31-3/8 (797)	83-1/2 (2.120)	2	6	R290	0,33 (150)	32°F / 61°F (+0°C/+16°C)	27,7 (785)	3/4	12,54	458 (208)
IRR-AGB1402MDAB	54-3/8 (1374,7)	31-3/8 (797)	83-1/2 (2.120)	2	6	R290	0,33 (150)	32°F / 61°F (+0°C/+16°C)	27,7 (785)	3/4	12,54	458 (208)

PLAN VIEW

ELEVATION

RIGHT VIEW

PLANT VIEW



IRR-AGB701MDA

IRR-AGB1402MDAB

Review:00 Date: 07/31/2024 IRR-AGB701_1401_MDA_MDAB

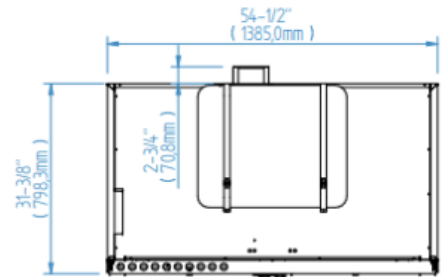
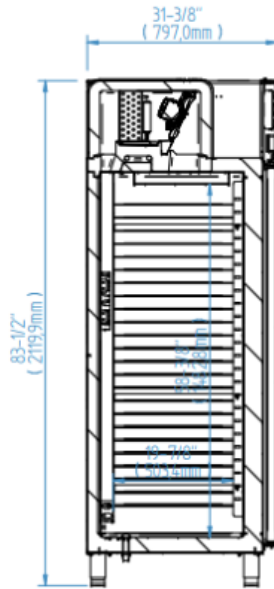
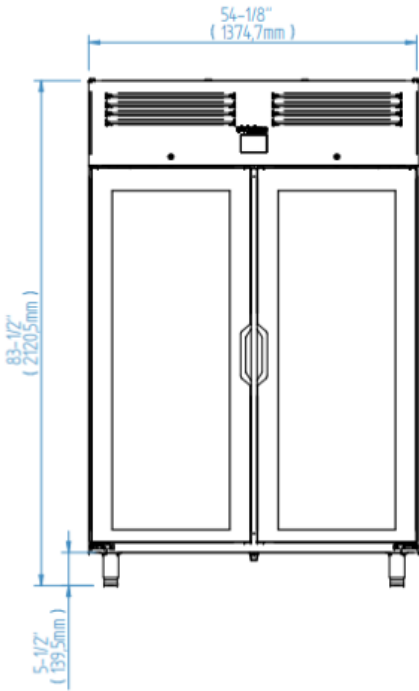
ETL LISTED TO UL471 STANDARD AND SANITATION CLASSIFIED TO NSF7 – WE RESERVE THE RIGHT TO CHANGE SPECIFICATIONS WITHOUT PRIOR NOTICE

MODEL: IRR-AGB701_1402_MDA_MDAB *Dry aging meat cabinet*

ELEVATION

RIGHT VIEW

PLANT VIEW



IRR-AGB1402MDA

IRR-AGB1402MDAB

ETL LISTED TO UL471 STANDARD AND SANITATION CLASSIFIED TO NSF7 – WE RESERVE THE RIGHT TO CHANGE SPECIFICATIONS WITHOUT PRIOR NOTICE