

Specifications

Description

Adcraft's SL series manual gravity feed meat slicers are constructed of high quality aluminum which makes them extremely durable and easy to clean. Perfect for slicing vegetables and lunch meats. Their small footprint and compact design make them ideal for delis, sub shops and small restaurants. Each model comes with a removable carriage for easy cleanup and a built-in sharpener to always ensure a sharp edge for every slice. The blades have a permanently attached ring guard around them for safety. The motors are belt driven and each unit is 120V with a NEMA 5-15 plug. These items are all ETL Listed and backed by Adcraft's one year warranty policy.

Construction

- Constructed of high quality aluminum
- Italian Carbon steel blade lasts long and is easy to sharpen
- Built-in sharpener for quick and easy blade sharpening
- Removable carriage for easy cleaning
- Manual feed carriage glides smoothly during operation
- Non slip rubber feet keeps the slicer steady and in place during use

Operation

- Blade is belt driven for a smooth and effortless cut
- Adjustable knob allows for precise slicing from 1/16" to 5/8"
- On/Off buttons are large and easy to operate

Electrical

- Electrical components are enclosed below the unit keeping them clear of food and other debris
- 120V/60Hz/1
- 5' power cord with NEMA 5-15 plug

Certifications/Approvals



Manual Gravity Feed Meat Slicers

Models:

- SL-9
- SL-10
- SL-12L



SL-9



SL-10



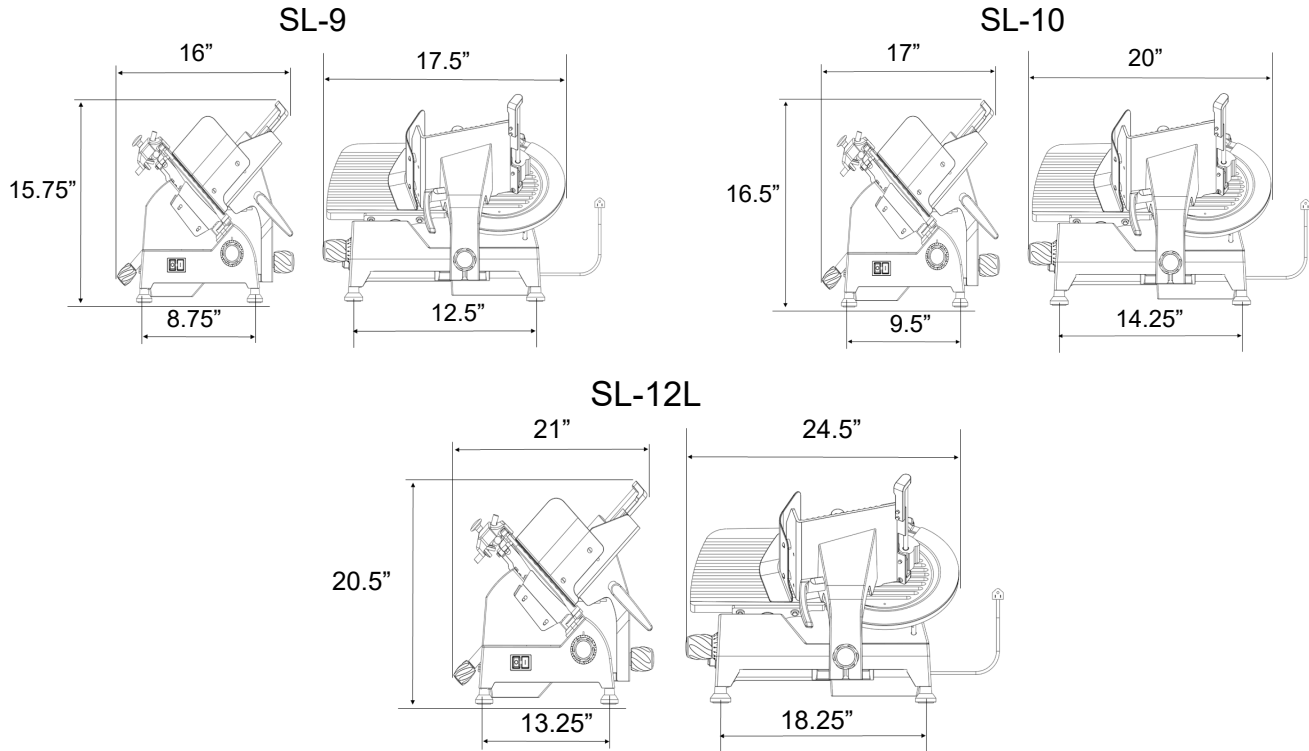
SL-12L

Warranty: This product is protected by Admiral Craft Equipment Corporation's one year limited warranty. Should your product fail under normal use it will be repaired or replaced up to one year from date of purchase.



Manual Gravity Feed Meat Slicers - SL Series

Plan View



Specifications

Item Number	Description	Blade Diameter	Horsepower	Volts	Wattage	Amps	NEMA Plug
SL-9	9" Meat Slicer	9"	1/4 HP	120V	180W	0.75A	5-15P
SL-10	10" Meat Slicer	10"	1/3 HP	120V	250W	0.80A	5-15P
SL-12L	12" Meat Slicer	12"	1/2 HP	120V	350W	0.83A	5-15P

Item Number	Cut Capacity	Max Cut Thickness	Usage	Slice Cheese
SL-9	6" x 5"	5/8"(15mm)	Standard duty	Yes - 1 hour max
SL-10	7" x 6"	5/8"(15mm)	Standard duty	Yes - 1 hour max
SL-12L	8.75" x 9"	5/8"(15mm)	Standard duty	Yes - 2 hour max

Item Number	Item Dimensions (in)	Shipping Dimensions (in)	Net Weight	Gross Weight
SL-9	17.5"W x 16"D x 15.75"H	18.5"W x 18"D x 18.25"H	26 lbs	31 lbs
SL-10	20"W x 17"D x 16.5"H	21.75"W x 19.75"D x 19"H	32 lbs	37 lbs
SL-12L	24.5"W x 21"D x 20.5"H	27.25"W x 25.25"D x 24.5"H	58 lbs	71 lbs

Specifications subject to change without notice. Please confirm at time of order.

©2021 Admiral Craft Equipment Corp.

Admiral Craft Equipment Corp.

55 Jericho Turnpike Suite 302A • Jericho, NY 11753 • P: 800-223-7750 • F: 800-447-7751 • www.admiralcraft.com