



STAINLESS STEEL

DROP-IN SINKS

Smart Series™ Single & Double Bowl Drop-Ins



Item #: _____ Qty #: _____

Model #: _____

Project #: _____



NOTE: Multi-Compartment Drop-In Sinks ARE NSF Approved when used in Mobile Food Carts and Kiosks only.

FEATURES:

One piece seamless **Deep Drawn** stainless steel bowls.
Self rimming design.
Flat deck allowing for more faucet options.
All bowls are sound deadened.
Units feature Advance Tabco's **Smart Finish™**.
Stainless Steel 1-1/2 IPS basket drain.

MATERIALS:

Stainless Steel Type 304 18 Gauge

DESIGN:

Self-Rim Design. Mounting clips provided accommodates all thicknesses of counter. (Quantity supplied varies based on drop in sink ordered).
8" O.C. Faucet Holes: Unit punched with 1-1/4" Diameter for the hot & cold water supply lines. Center hole punched with 1" Diameter.

SINGLE BOWL DROP-IN SINKS

MODEL #	OVERALL VIEW	BOWL SIZE L X W	BOWL DEPTH* (D)	CUTOUT (1 1/4" RADIUS CORNERS)	APPROX. WT.
SS-1-1319-10	13" x 19"	10" x 14"	10"	12 1/4" x 18 1/4"	14 lbs.
SS-1-1715-7	17" x 15"	14" x 10"	7-1/2"	16 1/4" x 14 1/4"	12 lbs.
SS-1-1715-10	17" x 15"	14" x 10"	10"	16 1/4" x 14 1/4"	14 lbs.
SS-1-1719-7	17" x 19"	14" x 14"	7-1/2"	16 1/4" x 18 1/4"	16 lbs.
SS-1-1719-10	17" x 19"	14" x 14"	10"	16 1/4" x 18 1/4"	18 lbs.
SS-1-1919-7	19" x 19"	16" x 14"	7-1/2"	18 1/4" x 18 1/4"	16 lbs.
SS-1-1919-10	19" x 19"	16" x 14"	10"	18 1/4" x 18 1/4"	18 lbs.
SS-1-1919-12	19" x 19"	16" x 14"	12"	18 1/4" x 18 1/4"	20 lbs.
SS-1-2321-7	23" x 21"	20" x 16"	7-1/2"	22 1/4" x 20 1/4"	20 lbs.
SS-1-2321-10	23" x 21"	20" x 16"	10"	22 1/4" x 20 1/4"	22 lbs.
SS-1-2321-12	23" x 21"	20" x 16"	12"	22 1/4" x 20 1/4"	24 lbs.
SS-1-3125-12	31" x 25"	28" x 20"	12"	30 1/4" x 24 1/4"	39 lbs.

DOUBLE BOWL DROP-IN SINKS

SS-2-3321-7	33 1/2" x 21"	14" x 16"	7-1/2"	32 3/4" x 20 1/4"	33 lbs.
SS-2-3321-10	33 1/2" x 21"	14" x 16"	10"	32 3/4" x 20 1/4"	35 lbs.
SS-2-3321-12	33 1/2" x 21"	14" x 16"	12"	32 3/4" x 20 1/4"	37 lbs.
SS-2-4521-7	45 1/2" x 21"	20" x 16"	7-1/2"	44 3/4" x 20 1/4"	38 lbs.
SS-2-4521-10	45 1/2" x 21"	20" x 16"	10"	44 3/4" x 20 1/4"	39 lbs.
SS-2-4521-12	45 1/2" x 21"	20" x 16"	12"	44 3/4" x 20 1/4"	40 lbs.

Length is Left to Right. Width is Front to Back



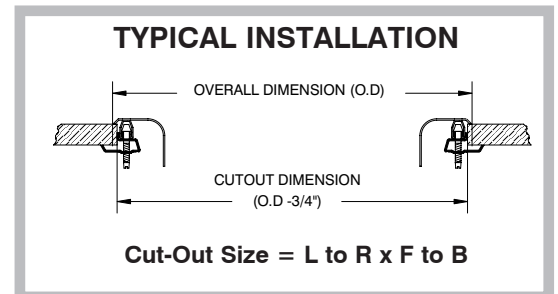
INCLUDES STANDARD MOUNTING CLIPS

For countertops over 7/8" and up to 2" thick.

Replacement # K-28 (Per Sink)



Available Faucets & Accessories	Model #	Qty.
Deck Mounted Swing w/Spray. 8" O.C.	K-58	
Deck Mounted 5 1/2" Gooseneck. 8" O.C.	K-132	
Deck Mounted 9" Swing Spout. 8" O.C.	K-133	
Mounting Clips (Bag of 4)	K-28	



Standard Faucets conform to NSF 61 Standard 9.
Faucets Are AB1953 Lead Free Compliant.

WARNING: Faucets on this page may expose you to chemicals, including lead, that are known to the State of California to cause cancer or birth defects or other reproductive harm. For more Info., visit www.p65warnings.ca.gov.



Customer Service Available To Assist You 1-800-645-3166 8:30 am - 7:00 pm E.S.T.

For Orders & Customer Service:

Email: customer@advancetabco.com or Fax: 631-242-6900

For Smart Fabrication™ Quotes:

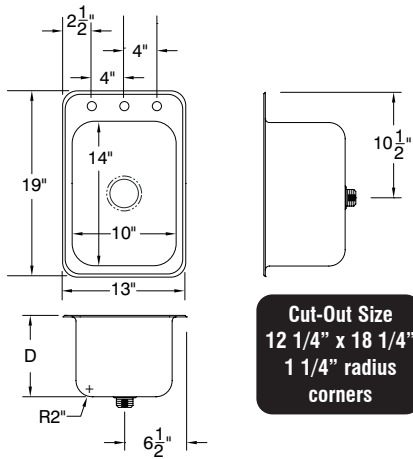
Email: smartfab@advancetabco.com or Fax: 631-586-2933

DIMENSIONS and SPECIFICATIONS

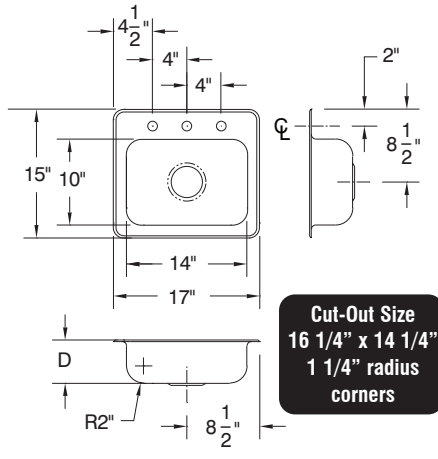
TOL ± .125"

ALL DIMENSIONS ARE TYPICAL

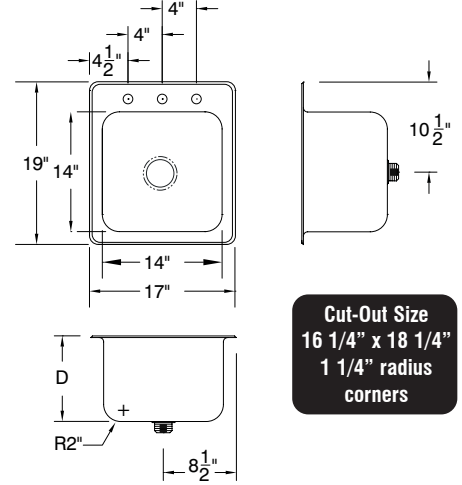
SS-1-1319 Series



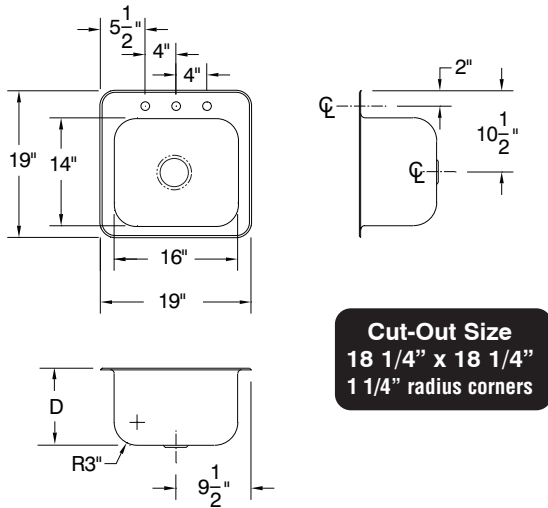
SS-1-1715 Series



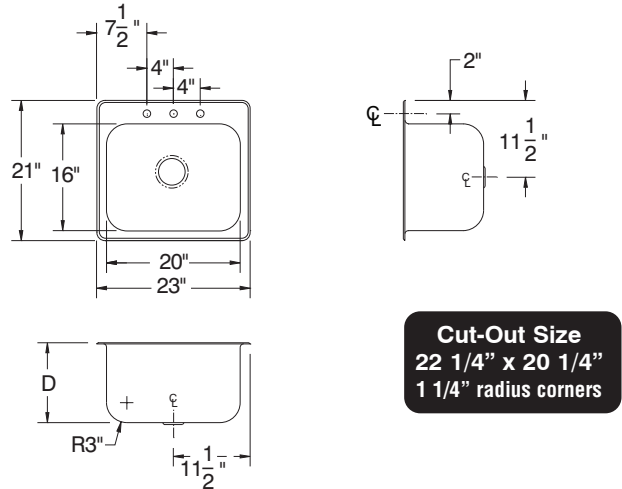
SS-1-1719 Series



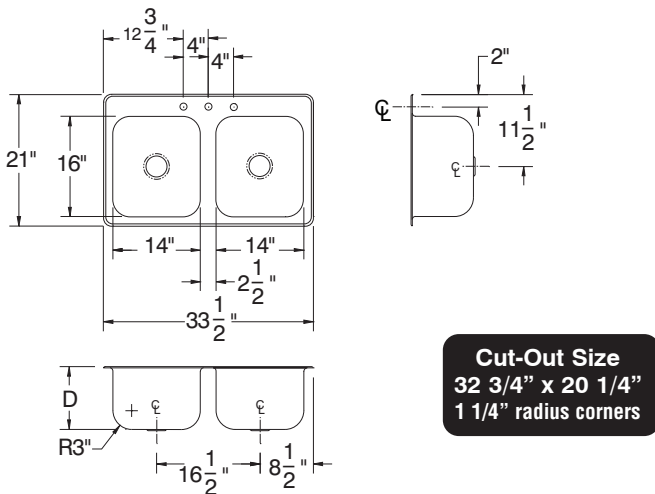
SS-1-1919 Series



SS-1-2321 Series



SS-2-3321 Series



SS-2-4521 Series

