



# EKFA 414 N S (120v)

## FOUR-TRAY, QUARTER-SIZE COUNTERTOP CONVECTION OVEN, MANUAL CONTROLS

### FEATURES



Maximum cooking capacity in a small space

Lateral supports for 4 trays at 1 3/32" pitch

(4) 13" x 9" grids included

Temperature range 200 to 500° F

Stainless-steel cooking chamber

Bottom control panel - manual

Mono-directional fan

High-performance oven insulation

High-efficiency motor and fan

Recessed door gasket

Bottom-hinged, dual-paned glass door

Internal glass designed to facilitate easy cleaning

Timed or infinite cooking mode

Internal halogen light

Conforms to the following standards:

- Standard safety UL 197
- CSA C 22.2 No. 109:2017
- Sanitation NSF / ANSI 4-2020



Tecnoeka, Inc.  
3385 Denver Drive  
Denver, North Carolina 28037

Web Site: [www.tecnoeka.com](http://www.tecnoeka.com)  
E-mail: [info.usa@tecnoeka.com](mailto:info.usa@tecnoeka.com)  
Toll Free: 888-626-EKA1 (3521)



Printed in the U.S.A.  
August 2024

# EKFA 414 N S (120v)

DIMENSIONS	NET	
Width	18.11 in	22 in
Depth	20.22 in	24 in
Height	18.94 in	18 in
Weight	48 lb	55 lb

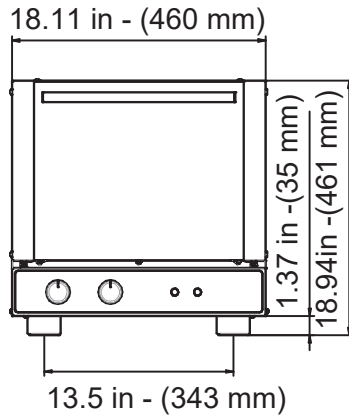
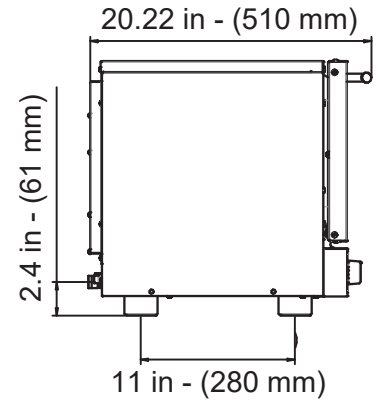
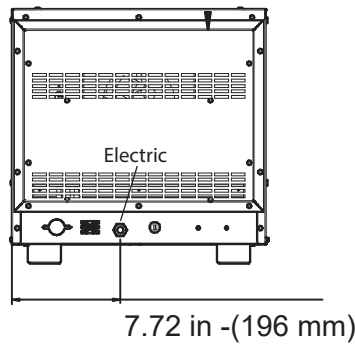
## UTILITY CONNECTIONS

All utility connections should be within three feet of the centerline of the back of the oven when installed.

## ELECTRICAL

Power:	1700W
Frequency:	60Hz
Voltage (AC):	120v
Current:	14.5A
NEMA Plug:	5-20P (included)
Breaker size:	20A (recommended)

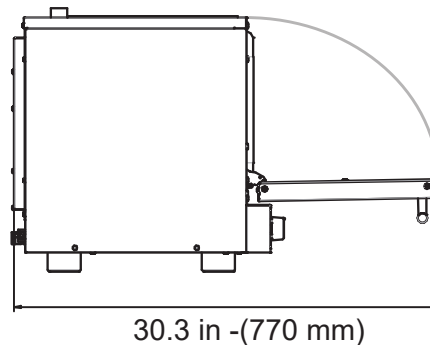
## AVAILABLE OPTIONS AND ACCESSORIES



\* Oven must be installed a minimum of 19.7" (500 mm) from any significant source of heat and/or grease (for example: fryers, burners, kettles, open flames, etc.)

Other surfaces must maintain a minimum of 3.94" (100mm) clearance.

Tecnoeka is not responsible for damage to the oven caused by any external heat source.



Tecnoeka, Inc.  
3385 Denver Drive  
Denver, North Carolina 28037

Web Site: [www.tecnoeka.com](http://www.tecnoeka.com)  
E-mail: [info.usa@tecnoeka.com](mailto:info.usa@tecnoeka.com)  
Toll Free: 888-626-EKA1 (3521)



Printed in the U.S.A.  
August 2024