

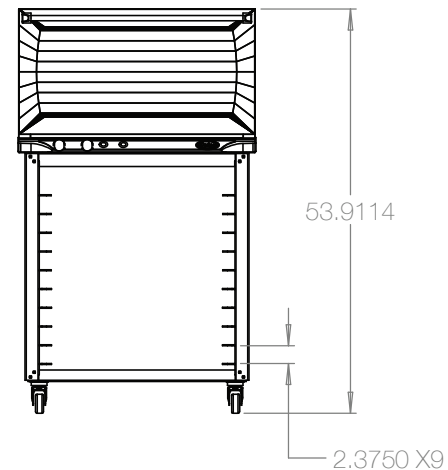
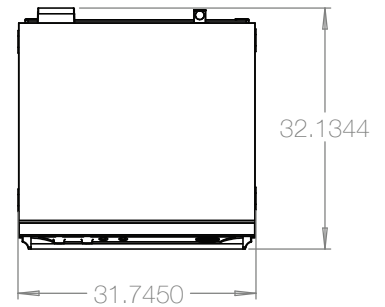
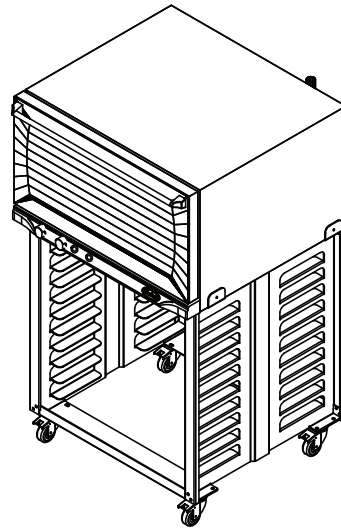


# XAF STATIONS

## MODEL: XAFS-193

The XAF Station is a heavy duty, manual control oven features one XAF convection oven on the OST Cadco stand, offering enhanced capacity and efficient cooking.

It's compact and easy-to-manage and perfect for establishments requiring high-volume cooking with minimal space.



### SPEC FOR XAF-193

Unit Dimensions (W" x H" x D"): 31 1/2 x 23 x 32  
Cavity Size (W" x H" x D"): 27 1/4 x 13 x 18 3/4; 3.85 cft.  
(Two fans. NEMA L6-30 plug.) Shelves: 4  
Volts: 208-240 Watts: 5600 Amps: 24.6

### SPEC FOR OST-195-C

Handles 10 full size sheetpans (not included)  
Aluminum (assembly required)  
Silent casters (2 with brakes, 2 with directional locks)  
Unit: 31.71" W x 36.78" H x 27" D

XAFS-193 will ship one pallet. Pallet #1: 38x35x56 (250lbs)

