

# KMV-25 VACUUM TUMBLER

# PRO-CUT<sup>®</sup>

## SPEC SHEET

[www.pro-cut.us](http://www.pro-cut.us)

## STANDARD FEATURES

- Powerful 1/6 HP motor
- 55 lbs marinating capacity
- 9 gallons per minute pump capacity
- Marinates all type of proteins and vegetable under 20 minutes
- Food grade stainless steel body
- Includes a vacuum indicator
- Robust polycarbonate lid
- 110 Volt / 1 phase electrical connection
- Non slip rubber feet



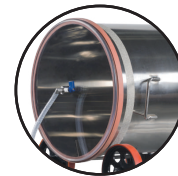
## PRODUCT HIGHLIGHTS



**Stainless  
steel body**



**1/6 HP motor**



**Marinates under  
20 minutes**



**Non slip  
rubber feet**



**Vacuum / timer  
indicator**



**1 year parts and labor**

# KMV-25

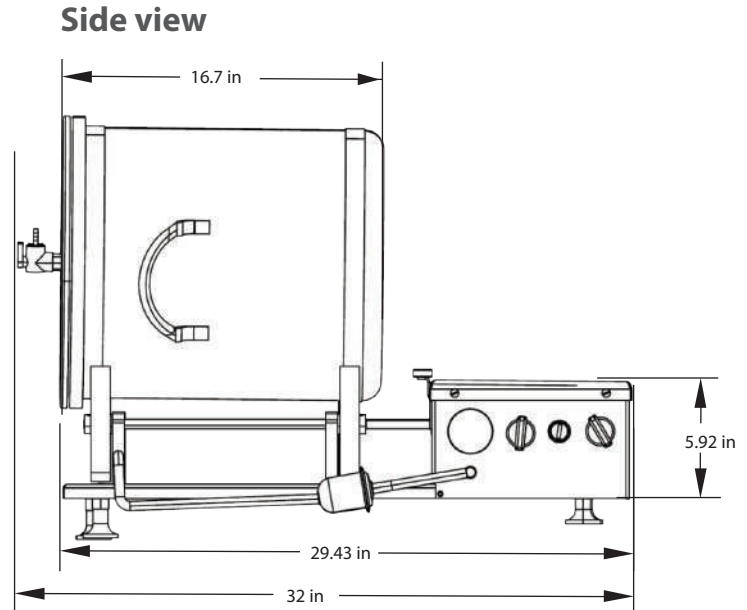
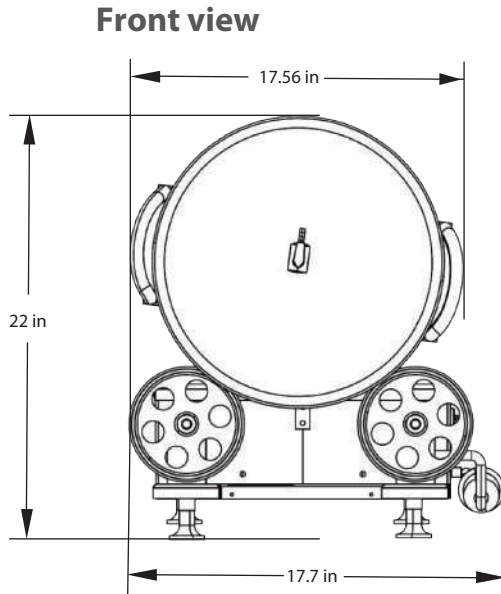
## VACUUM TUMBLER

# PRO-CUT®

### SPEC SHEET

[www.pro-cut.us](http://www.pro-cut.us)

### PLAN VIEW



NEMA 5-15P

### TECHNICAL DATA

#### Dimensions

External dimensions	L: 32" W: 17.7" H: 22"
Net weight	45.19 lb (20.50 kg)
Tumbler diameter	Ø:17.5"
Power cord length	5.9 ft

#### Construction

Tumbler material	Stainless steel
Lid material	Polycarbonate

#### Logistic

Max number of SKU per pallet	6
Shipping dimensions per unit	L: 32.5" W: 25.5" H: 24"
Shipping weight per unit	105 lb
Shipping dimensions full pallet	L: 36" W: 51" H: 78"
Shipping weight full pallet	431 lb
Freight class	85

L: Length W: Width H: Height

#### Electrical

Motor	1/6 HP
Volts / Frequency	120 Vac / 60 Hz
Amps	1.5
Watts	100
Phase	1 ph
Plug type (NEMA)	5-15P

#### Performance data

Tumbler capacity	55 lb (25 kg)
Pump capacity	9.4 Gal / min
Type of plug (NEMA)	5-15P
Tumbler RPM	6

#### Dealers information
