



YOU CAN TRUST

POTATO PEELER

EL-10

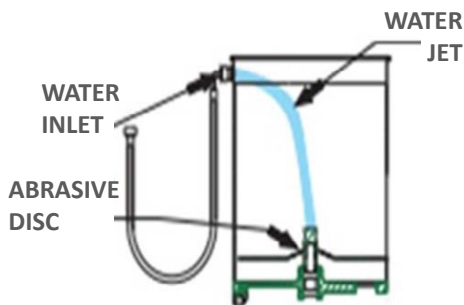


STANDARD FEATURES

- Designed to peel 22 lb of potatoes at once or similar vegetables, like carrots, beet, radish and others as long as they are similar in size and shape.
- Rotating abrasive disc made of carbon steel sheet coated with non-toxic aluminum oxide and running water gently remove peels from potatoes and similar vegetables.
- Stainless steel construction ensures durability and easy cleaning.
- Stainless steel hinged cover with inspection holes.
- EL-10 is equipped with a safety switch to stop motor when cover is lifted up.
- 7-minute timer allows for unattended operation and prevent wastage of products.
- Processing time as little as 1:30 to 2 minutes.



EL-10
POTATO PEELER



ILLUSTRATIVE PHOTO, ACTUAL PRODUCTS AND ACCESSORIES ARE SUBJECT TO CHANGE WITHOUT NOTICE.



Skyfood Equipment LLC
175 SW 7th Street, Ste 2416
Miami, FL 33130

Toll Free:
1-800-503-7534
sales@skyfood.us

www.skyfood.us



Follow us to keep up to date with the latest news and offers

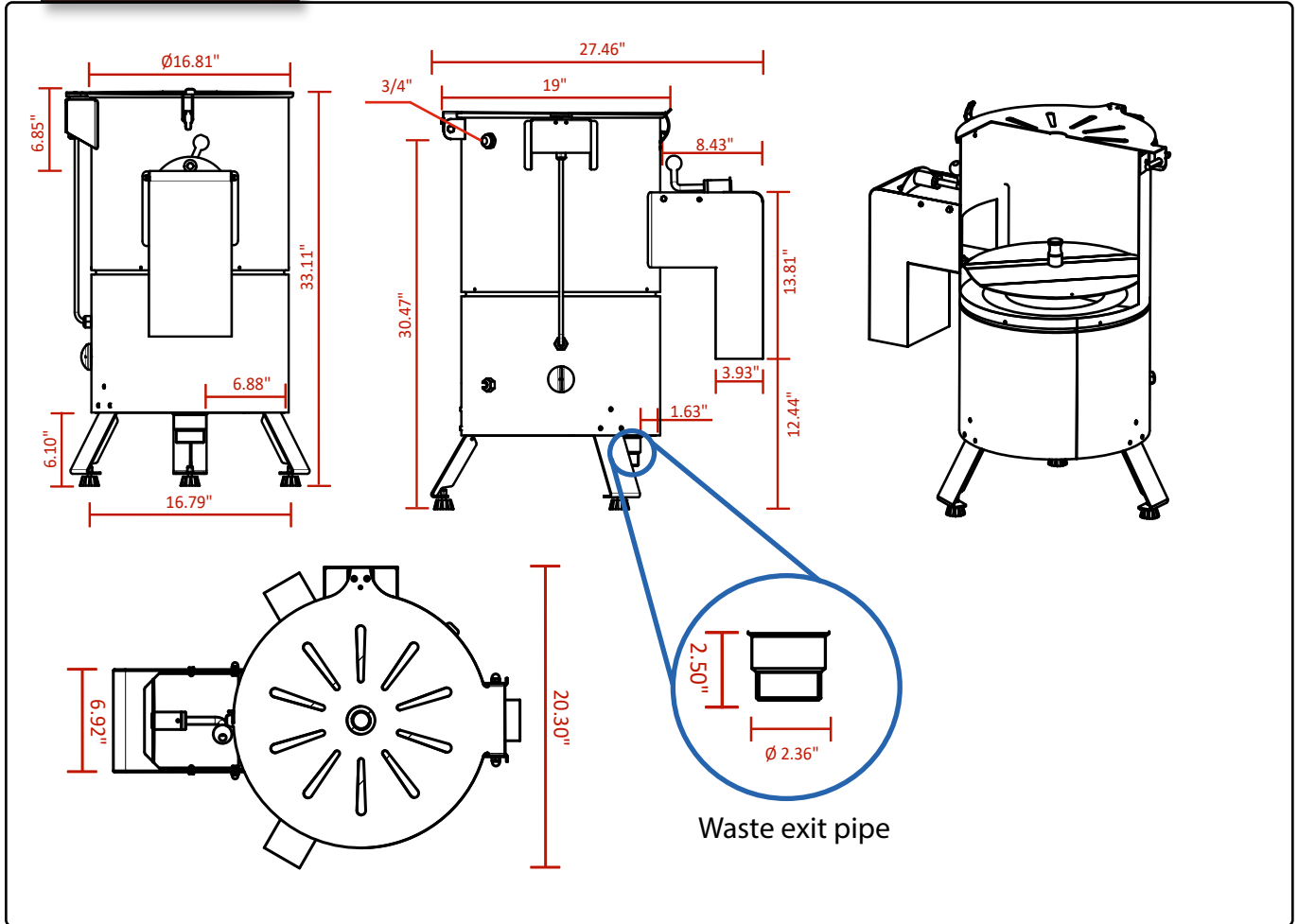
/SkyfoodEquipment


/SkyfoodEquipment


/SkyfoodEquipment



DIMENSIONS



 **MADE IN BRAZIL**

 **PLUG**
NEMA 5-15P


CALIFORNIA RESIDENTS ONLY -
WARNING:
Cancer and Reproductive Harm -
www.P65Warnings.ca.gov

WARRANTY 01 YEAR PARTS AND LABOR VALID IN THE CONTINENTAL UNITED STATES.

| Item | Voltage | AMPS | Power Rating | Dimensions (W x D x H) | Weight (Net x Ship) | Tank Capacity | Production | PLUG |
|-------|---------|------|--------------|--------------------------|---------------------|---------------|------------------|------------|
| EL-10 | 110 V | 9.5 | 1/2 HP | 20.30" x 27.46" x 33.11" | 53 lb x 83 lb | 22 lb | 350 lb/h approx. | NEMA 5-15P |



Skyfood Equipment LLC
175 SW 7th Street, Ste 2416
Miami, FL 33130

Toll Free:
1-800-503-7534
sales@skyfood.us

www.skyfood.us



ILLUSTRATIVE PHOTO, ACTUAL PRODUCTS AND ACCESSORIES ARE SUBJECT TO CHANGE WITHOUT NOTICE.