



YOU CAN TRUST

FOOD PROCESSORS

FBC



FBC PLANTAIN SLICER

STANDARD FEATURES

The FBC Plantain Slicer is ideal for plantain chips craft productions, restaurants, deli's, bakeries, ice cream parlors, bars and similar operations.

- **Two feeding chutes** - For straight and diagonal cuts
- **High productivity and less effort** - Unique direct drive system and 1/2 HP powerful motor
- **High quality and precise cuts** - Feeding chute and disc specially designed to avoid food waste
- **Robust structure providing high durability** - Stainless steel and cast aluminum
- **Safety system** - Microswitch disconnects power when feeding chute is removed
- **Easy cleaning** - Removable disc facilitates cleaning and maintenance



Skyfood Equipment LLC
175 SW 7th Street, Ste 2416
Miami, FL 33130

Toll Free:
1-800-503-7534
sales@skyfood.us

www.skyfood.us

 AutoQuotes

 beedash



Follow us to keep up to date with the latest news and offers

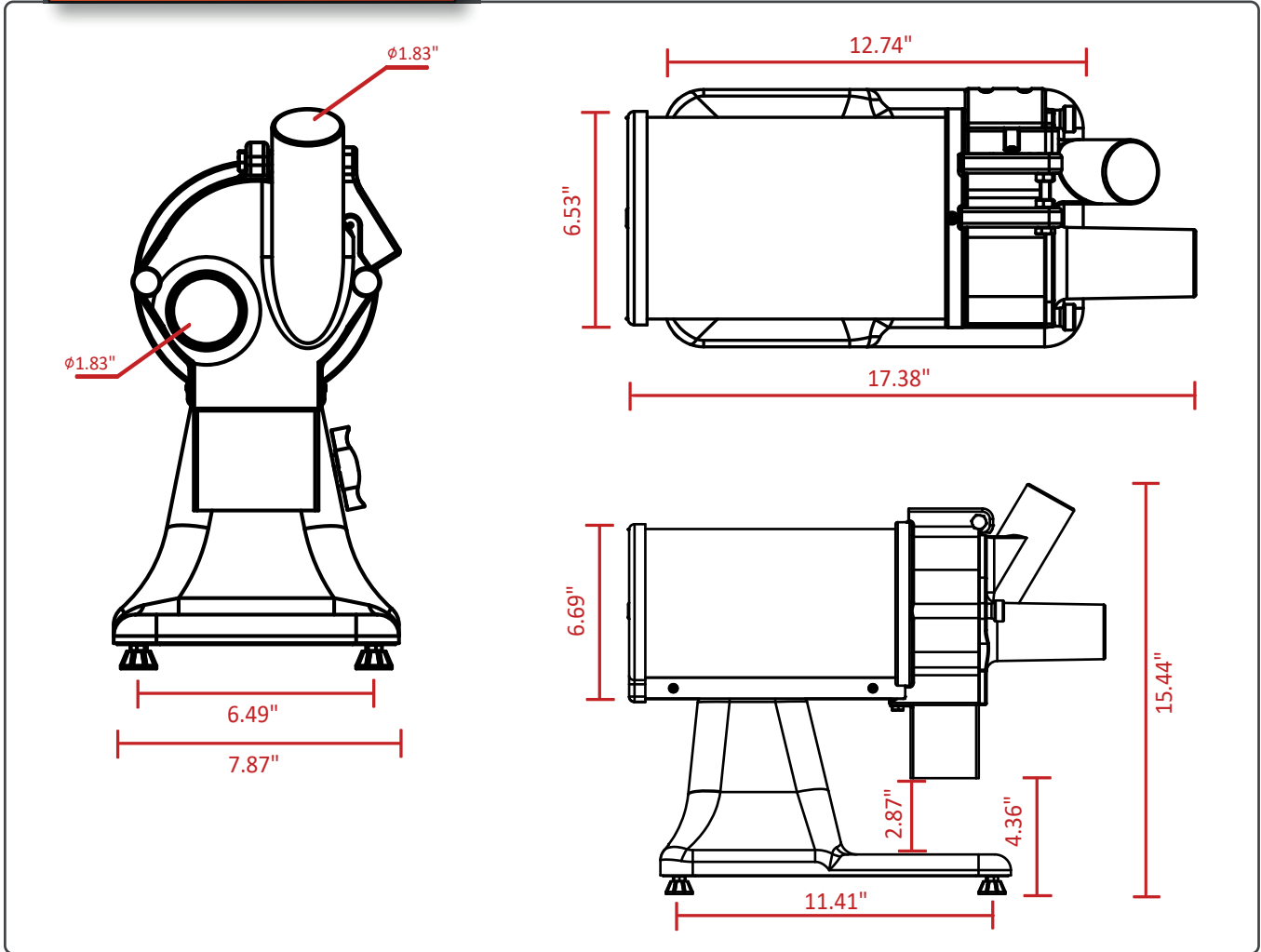
 /SkyfoodEquipment


 /SkyfoodEquipment


 /SkyfoodEquipment



DIMENSIONS



 **MADE IN BRAZIL**

 **PLUG**
NEMA 5-15P

WARRANTY 01 YEAR PARTS AND LABOR VALID IN THE CONTINENTAL UNITED STATES.

Item	Voltage	Power Rating	Dimensions (W x D x H)	Weight (Net x Ship)	Disc Rotation	Disc Diameter	PRODUCTION	Feeding Chute	PLUG
FBC	110	1/2 HP	8" x 17.38" x 15.44"	35 lb x 38 lb	1750	5 1/2"	187 lb/h	1 3/4" (diagonal and straight)	NEMA 5-15P

ILLUSTRATIVE PHOTO, ACTUAL PRODUCTS AND ACCESSORIES ARE SUBJECT TO CHANGE WITHOUT NOTICE.



Skyfood Equipment LLC
175 SW 7th Street, Ste 2416
Miami, FL 33130

Toll Free:
1-800-503-7534
sales@skyfood.us

www.skyfood.us

