



Model: **16-406L** Item #: _____ Date: _____

Project: _____ Qty: _____ Approved By: _____

Single Pedal Knee Valve

Royal Series

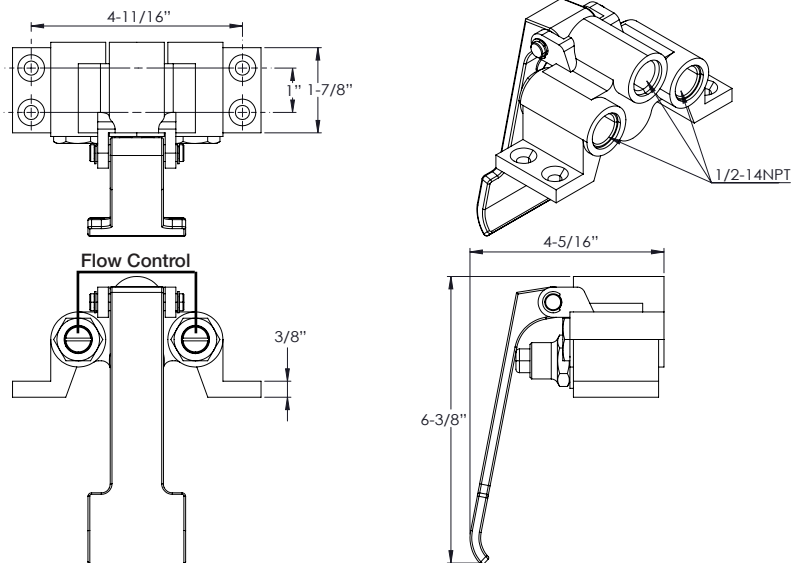


STANDARD FEATURES

- Self-closing valve
- Built-in flow control on hot and cold valves
- 1/2" female inlets
- 1/2" outlet
- Built-in check valves
- Adjust temperature by using flow control valves

PRODUCT COMPLIANCE

- NSF-61 & NSF/ANSI 372
- ASME A112. 18. 1-2012/CSA BA125. 1-12
- Massachusetts Approved



WARNING: Plumbing connections should be made by qualified personnel who will observe all applicable plumbing, sanitary and safety codes. California Proposition 65 Warning