



DRAFT TOWER

TITAN L - 4 FAUCET


- Over-sized brewery pipe style (4" diameter) for the bar top
- U.S. manufactured
- Durable polished stainless steel finish provides years of service
- All stainless steel contact with the beer for the ultimate in draft purity



TT-L-4KR-11

Polished Stainless Steel

Faucet knobs not included.

 Certified by the National Sanitation Foundation



The integrated Kool-Rite module provides optimum cooling at the point of dispense. Modular construction makes the installation process as simple as PLUG "N" POUR.

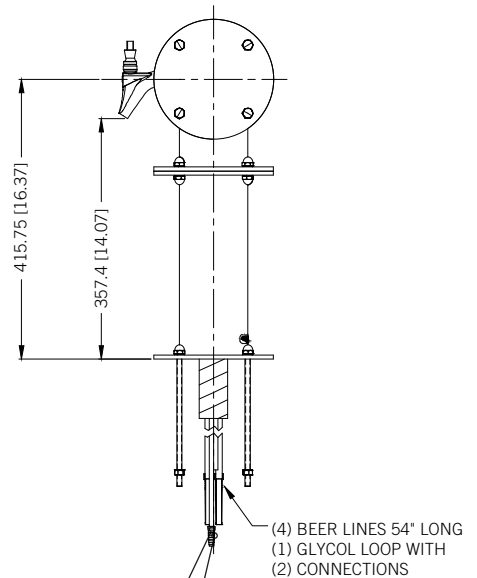
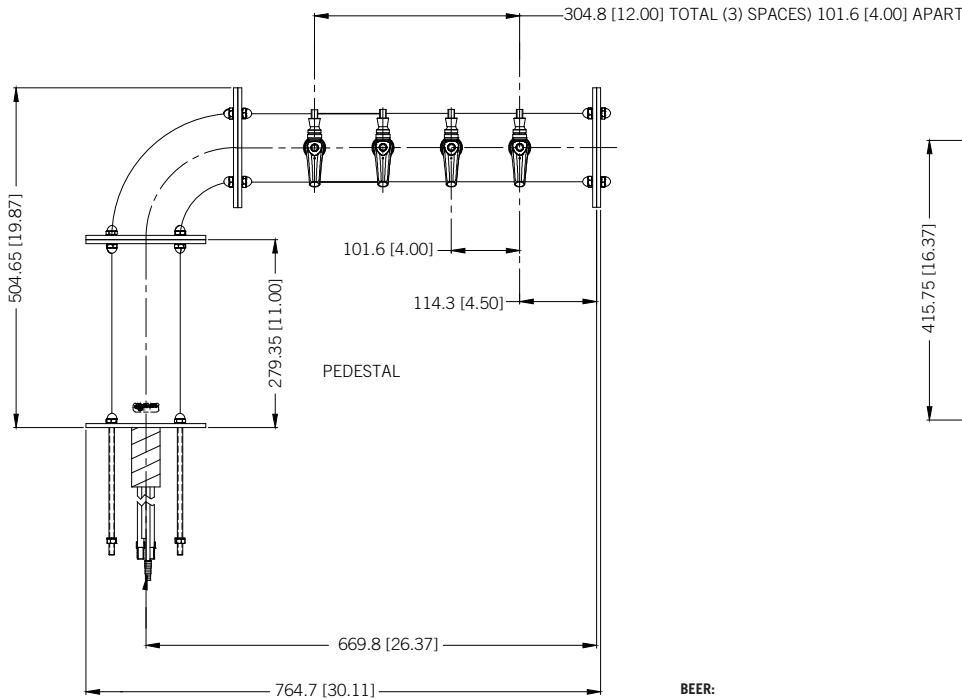
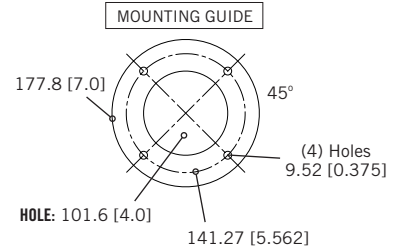
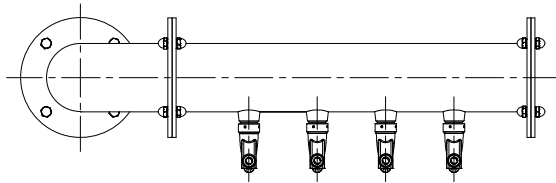
www.micromatic.com • 1 (866) 327-4159

TITAN L - 4 FAUCET

Job Number: _____ Location: _____

Part No.	Faucets	Finish	Dispense System	Shipping Weight
TT-L-4KR-11	4	Polished S/S	Kool-Rite (Glycol)	TBD

Dimensions



BEER:
6mm (1/4") O.D. Stainless Steel
with 6mm - 9.5mm (1/4" - 3/8") Barb Fittings

GLYCOL:
9.5mm (3/8") O.D. Copper
with 9.5mm (3/8") Barb Fittings



Toll-Free: 1-866-327-4159
www.micromatic.com

West
19791 Bahama St.
Northridge, CA 91324
Tel. (818) 701-9765
Fax. (818) 701-9844

Central
10726 North Second St.
Machesney Park, IL 61115
Tel. (815) 968-7557
Fax. (815) 968-0363

Southeast
2386 Simon Ct.
Brooksville, FL 34604
Tel. (352) 799-6331
Fax. (352) 796-2429

Northeast
4601 Saucon Creek Rd.
Center Valley, PA 18034
Tel. (610) 625-4464
Fax. (610) 625-4466