



SERVING THE FOOD INDUSTRY SINCE 1951

## 36" Countertop Gas Combination Hot Plate, Charbroiler & Griddle Combo - 115,000 BTU Natural Gas

ITEM: 48086

MODEL: CE-CN-12H12C12G



### Multifunctional cooking in one, while being a countertop size!

Allows you to grill, sear, and griddle simultaneously. Designed to accommodate natural gas, and featured two 12" hot plates, one 12" charbroiler, and one 12" griddle, providing a range of cooking options to suit diverse culinary needs. This countertop unit maximizes space efficiency without compromising functionality, whether searing steaks, grilling vegetables, or preparing breakfast favorites.

#### FEATURES:

- 3 functions combo, Hot plate, Griddle and Charbroiler
- Standing pilot ignition system, adjustable pilot light lit from front
- Cool-to-the-touch front S/S edge
- Adjustable stainless steel non-skid feet
- Shipped standard Natural gas.
- No conversion kit needed, change the orifice for each burner

Telephone: 1-800-465-0234

Fax: (905) 607-0234

Email: [sales@omcan.com](mailto:sales@omcan.com)

Website: [www.omcan.com](http://www.omcan.com)



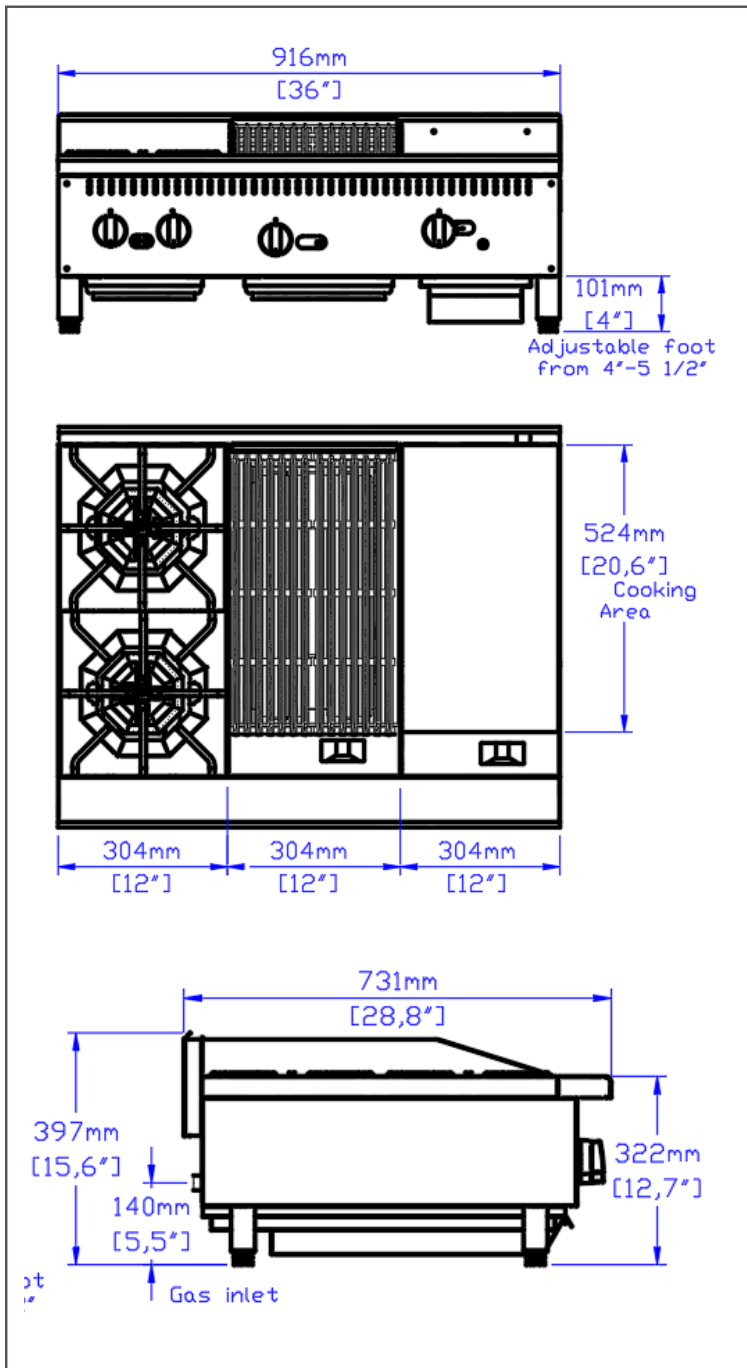
Authorized Dealer



(Version 2023.10)

Page 1 / 2

## TECHNICAL DRAWING



## TECHNICAL SPECIFICATION

Item	48086
Model	CE-CN-12H12C12G
Gas Type	Natural Gas
Types of Cooking Surfaces	2x - 12" Hot Plate 1x - 12" Charbroiler 1x - 12" Griddle
BTU (per hour)	115,000
Input Rating (BTU/h Burners)	50,000 - 2x Hot Plate 35,000 - 1x Charbroiler 30,000 - 1x Griddle
Net Weight	195 lb. (88.5 kg.)
Net Dimensions (WDH)	36" x 28.8" x 15.6" (914 x 731 x 397 mm)
Gross Weight	197 lb. (111.5 kg.)
Gross Dimensions (WDH)	39.5" x 33.5" x 19.25" (1000 x 850 x 490 mm)

## OPTIONAL ACCESSORIES

Item	Description
AI783	Orifice (Charbroiler Natural Gas)
AI784	Orifice (Charbroiler LP Gas)
AI799	Orifice (Hotplate Natural Gas)
AI800	Orifice (Hotplate LP Gas)