



ELECTRIC

SPEC SERIES 36" RANGE/HOT TOP COMBOS

IMPERIAL



IHR-4-1HT-E

Shown with optional casters

MODEL NUMBERS

IHR-2HT-2-E
IHR-2HT-2-E-C
IHR-2HT-2-E-XB
IHR-2HT-2-E-M
IHR-4-1HT-E
IHR-4-1HT-E-C
IHR-4-1HT-E-M
IHR-4-1HT-E-XB

STANDARD OVEN

- 40,000 BTU/hr (12 KW) oven with 100% safety pilot and manual shut-off valve.
- High performance 5.3 KW element provides even heating throughout the oven.
- Unique burner baffle distributes heat flow to provide even temperatures throughout the oven cavity.
- Exclusive heat deflector reflects heat into the oven, not the floor.
- Chef Depth interior is 26-1/2" w x 26" d x 14" h (673 x 660 x 356 mm) and accommodates 18" x 26" (457 x 660) sheet pans left-to-right and front-to-back.
- Porcelainized sides, rear, deck and inner door liner for easy cleaning.
- Superior heavy-duty door hinge.
- Side oven controls are protected from heat in an insulated side compartment
- Stamped inner door liner provides extra strength while improving heat retention.

CONVECTION OVEN

- Electronic ignition system with single solenoid valve.
- 1/4 hp blower motor. 35,000 BTU/hr 10KW
- Stainless steel door gasket
- Three position switch for cooking or cool down
- Burner "On" indicator light and one hour manual timer. Fan shuts off automatically when door is open.
- Three oven racks.

ELECTRIC ROUND PLATE ELEMENTS

- Sealed 2.6 KW round plate elements with easy-to-clean surface
- Provides a solid flat surface for fast, even heating
- Plates are 9" (229) diameter for maximum pan contact
- Solid top prevents spills from entering unit making clean-up easy
- Infinite heat controls for maximum cooking flexibility

IMPERIAL

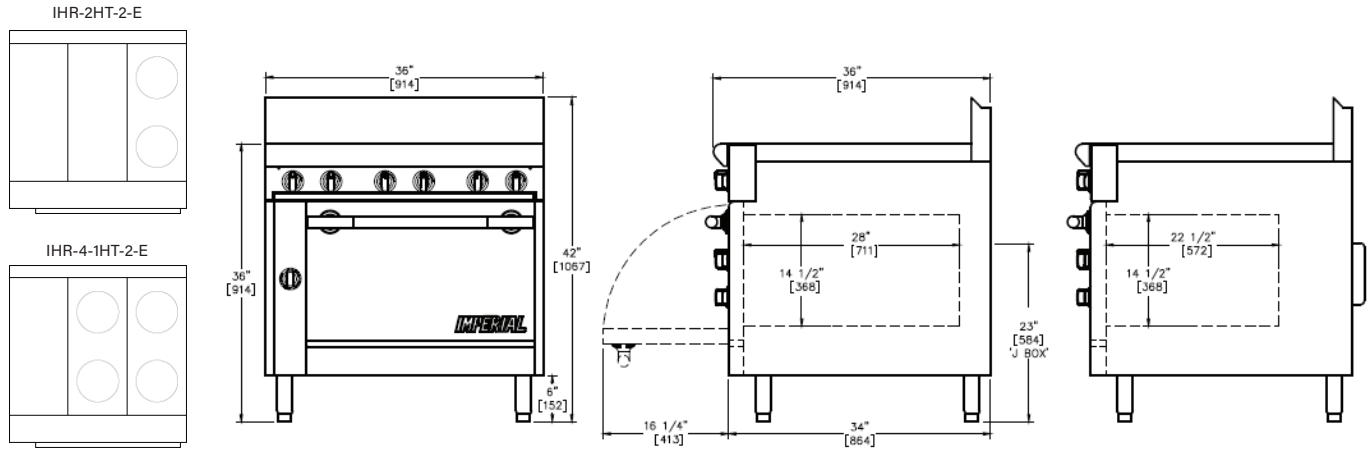
1128 Sherborn Street | Corona, CA 92879 | 800.343.7790 | imperialrange.com | imperialsales@imperialrange.com

©2024 Imperial Commercial Cooking Equipment Imperial reserves the right to change specifications at any time without prior notice and without any obligation for past or future equipment purchases. Visit www.imperialrange.com for specification updates



ELECTRIC

SPEC SERIES 36" RANGE/HOT TOP COMBOS



DIMENSIONS: 36" (914) W x 38" (965) D
ELECTRICAL OUTPUT: IHR-4-1HT: 17.3 KW
 IHR-2HT-2-E: 5 KW/ E-C: 7.5 KW/ E-XB: 10 KW/ E-M: 15 KW

ELECTRICAL REQUIREMENTS

MODEL	TOTAL KW	VOLTS	PHASE	AMPS	SHIP WEIGHT
1HR-2HT-2-E	15.3	208	1	74	(281) 619
	15.3	208	3	43	(281) 619
	15.3	240	1	64	(281) 619
	15.3	240	3	37	(281) 619
	15.3	*480	3	19	(281) 619
1HR-2HT-2-E-C	15.3	208	1	81	(308) 679
	15.3	208	3	50	(308) 679
	15.3	240	1	71	(308) 679
	15.3	240	3	44	(308) 679
	15.3	*480	3	26	(308) 679
1HR-2HT-2-E-XB	10	208	1	49	(204) 449
	10	208	3	28	(204) 449
	10	240	1	42	(204) 449
	10	240	3	25	(204) 449
	10	*480	3	13	(204) 449
1HR-2HT-2-E-M	10	208	1	49	(156) 344
	10	208	3	28	(156) 344
	10	240	1	42	(156) 344
	10	240	3	25	(156) 344
	10	*480	3	13	(156) 344

MODEL	TOTAL KW	VOLTS	PHASE	AMPS	SHIP WEIGHT
IHR-4-1HT-E	16.3	208	1	79	(273) 602
	16.3	208	3	46	(273) 602
	16.3	240	1	68	(273) 602
	16.3	240	3	40	(273) 602
	16.3	*480	3	20	(273) 602
IHR-4-1HT-E-C	16.3	208	1	86	(300) 662
	16.3	208	3	53	(300) 662
	16.3	240	1	75	(300) 662
	16.3	240	3	47	(300) 662
	16.3	*480	3	27	(300) 662
IHR-4-1HT-E-XB	11	208	1	53	(196) 432
	11	208	3	31	(196) 432
	11	240	1	46	(196) 432
	11	240	3	27	(196) 432
	11	*480	3	14	(196) 432
IHR-4-1HT-E-M	11	208	1	53	(148) 327
	11	208	3	31	(148) 327
	11	240	1	46	(148) 327
	11	240	3	27	(148) 327
	11	*480	3	14	(148) 327

Notes: Measurements in () are metric equivalents.

ELECTRIC CONVECTION OVEN OPTIONS

- Cook and Hold Feature
- Heavy Duty Casters, set of 4
- Stainless Steel Bottom Shelf and Adjustable Rack Supports
- Extra Standard Depth Oven Racks
- 480 volt motor
- Stainless Steel solid doors available at no additional charge. Must specify at ordering.

* Additional charge

CLEARANCE REQUIREMENTS

For use only on non-combustible floors. Legs or casters are required for non-combustible floors; or 2 1/4" (57 mm) overhang is required when curb-mounted. Provide 0" clearance from non-combustible surfaces and 6" (152 mm) from combustible surfaces.

Two speed motor - 1/2 HP, 1725/1140 RPM.



MADE IN USA



1128 Sherborn Street | Corona, CA 92879 | 800.343.7790 | imperialrange.com | imperialsales@imperialrange.com

© 2024 Imperial Commercial Cooking Equipment Imperial reserves the right to change specifications at any time without prior notice and without any obligation for past or future equipment purchases. Visit www.imperialrange.com for specification updates