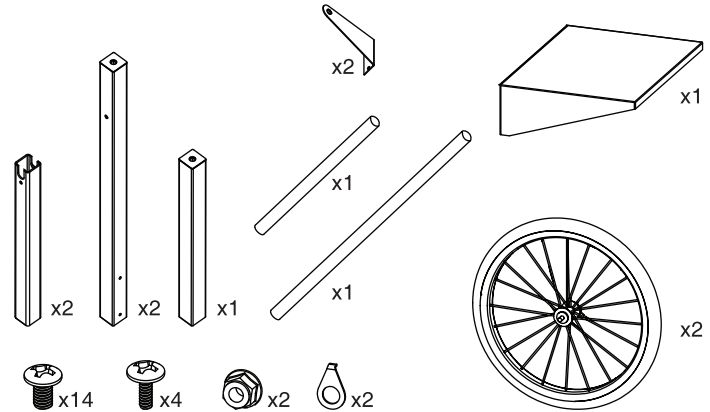
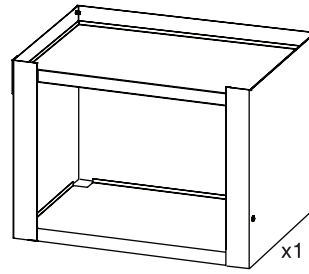


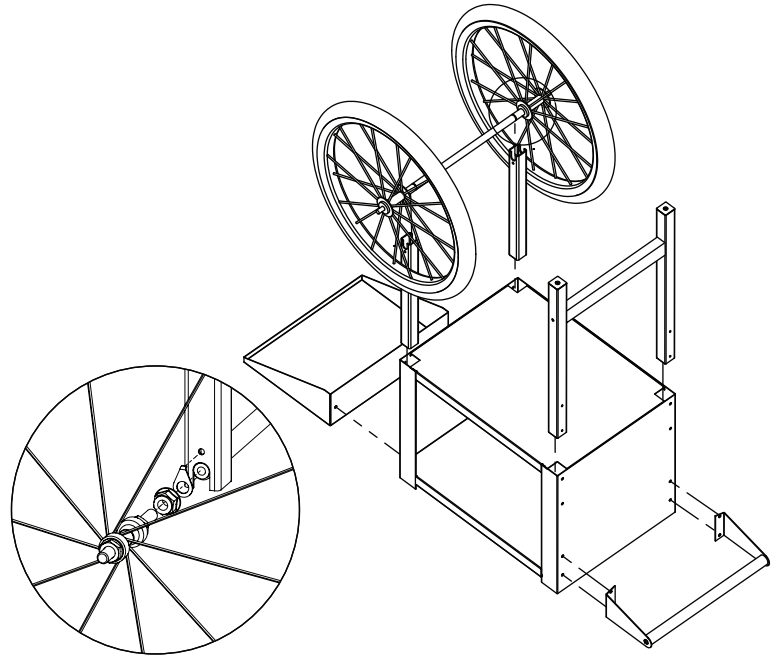
CONTENTS

- 1 Cart Body
- 2 Long Square Poles
- 2 Short Square Poles
- 1 Square Cross Bar
- 1 Working Platform
- 1 Hand Rail
- 2 Hand Rail Brackets
- 2 Spoked Wheels • 1 Axle
- 14 Cross-Head Screws [M10-32x5/16]
- 4 Cross-Head Screws [M4-0.7x10mm]
- 2 Jam Nuts
- 2 Axle Washers



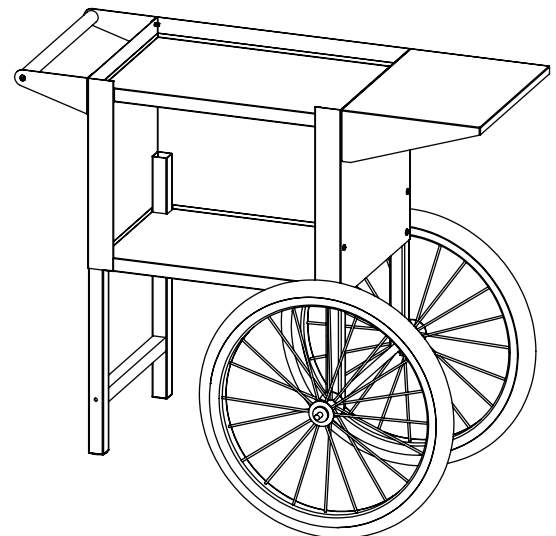
1 ASSEMBLE THE CART

- a) Attach cross bar to the long square poles with the longer screws.
- b) Attach long and short square poles to the cart body with the shorter screws.
- c) Slide the axle shaft onto the short square poles.
- d) Attach the wheels on each side of the axle.
Note: Check tire pressure before installing.
Tire pressure should be 350kpa/ 50psi.
- e) Attach the working platform to the cart body (on the same side as the wheels) and secure with the shorter screws.
- f) Attach the hand rail to the hand rail brackets with longer screws.
- g) Attach the assembled hand rail to the cart body with the shorter screws.



2 FINAL CHECK

- a) With the cart assembled, the cart can now be stood up right.
- b) Make sure everything is secure and leveled.



WARNING

NOT INTENDED FOR OUTDOOR USE
If used outdoors, properly protect cart away from the elements/weather (ie: rain).

DO NOT CLEAN WITH HARSH ABRASIVES
Abrasive cleaners will damage the surface.