

Blueair by
BLUENIX

MODEL BAPP93-HC PIZZA PREP TABLES



Stainless steel cabinet construction

Stainless steel interior and exterior (galvanized steel back & bottom).



Temperature range between 33°F ~ 39°F

Air guard on rear wall ensures proper air circulation and cooling.



Hydrocarbon refrigerants (R-290)

Increases energy HFC refrigerants. It is safer for the environment and does not cause ozone depletion.



Conforms to NSF/ANSI 7(ETL)



Cabinet construction

- High density foamed in place polyurethane insulation – Environmentally safe.
- Drop-in section : Fans force cold air into this enclosed area keeping stored food items consistently cold
- Insulated pan cover with a stainless steel divider which prevents food spillage into the storage area beneath
- Unit accommodates standard 4" or 6" deep pans (pans are not included)
- Epoxy coated wire shelves with adjustable shelving height.
- Side rail cutting board bracket with 19" deep, 1/2" thick cutting board included
- Four (4) 4" diameter swivel casters with front brakes standard.

Refrigeration

- Front breathing, side mounted compressor unit.
- Compressor configuration allows unit to be efficient in narrow spaces and be serviced without being moved.
- Epoxy coated evaporator reduces potential corrosion
- Refrigerators have a temperature range between 33°F ~ 39°F

Exterior Dimensions (inches/mm)

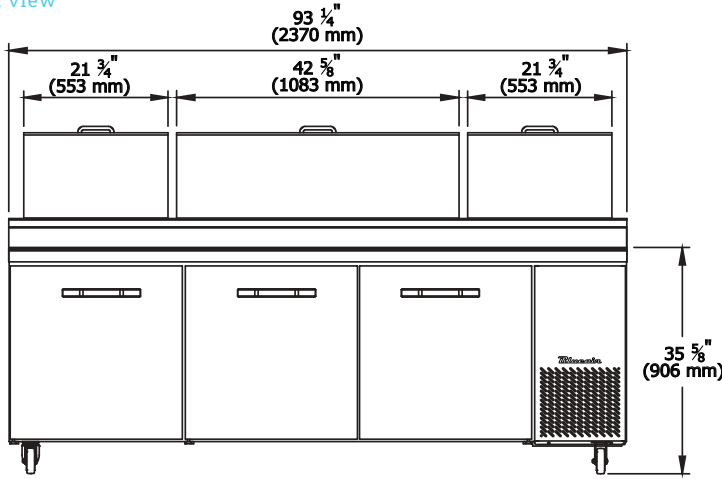
| L | D | H |
|---------|---------|--------|
| 93 1/4" | 32 3/4" | 37" |
| 2370 mm | 831 mm | 939 mm |

Weight (lbs/kg)

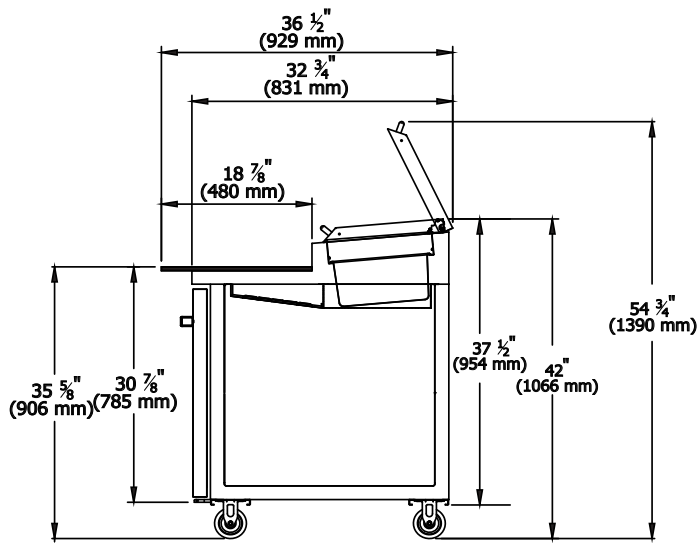
| Net Weight | Ship Weight |
|------------|-------------|
| 452 lbs | 492 lbs |
| 205 kg | 223 kg |

* Depth does not include 3 3/4" for cutting board
* Height does not include 5" (127 mm) for casters

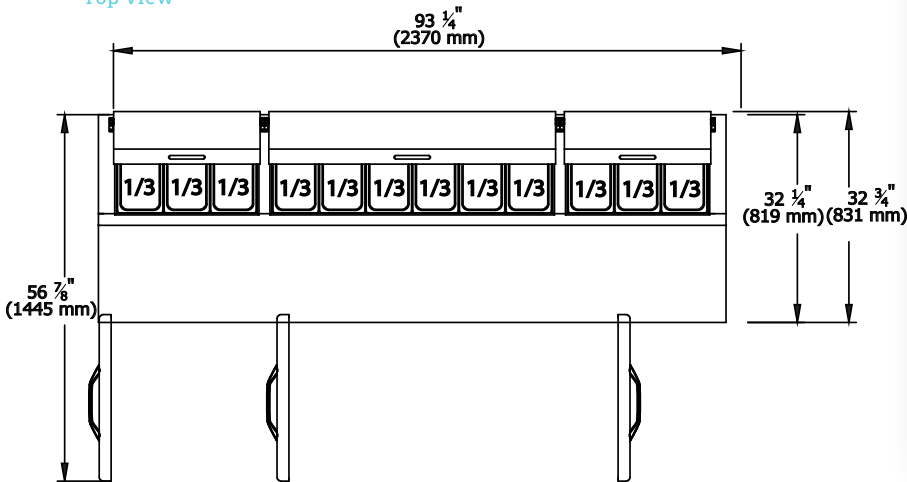
Front view



Side view



Top view



- This product may expose you to chemicals including Diisononyl Phthalate (DINP), which is known to the State of California to cause cancer. For more information go to www.P65Warnings.ca.gov.
 - Ce produit peut vous exposer à des agents chimiques incluant le Diisononyl Phthalate (DINP), reconnu par l'Etat de Californie comme causant le cancer. Pour de plus amples renseignements, consulter le site www.P65Warnings.ca.gov.

Doors

- Self-closing doors
- Durable door gasket with easy replacement.
- Lifetime guaranteed heavy duty all metal door handles. (Ni-Cr Plated)
- Door designed to open easily.

Optional Features & Accessories

- 2.5" diameter casters available
- 6" adjustable legs available.
- Additional shelves are available.
- Drawer models available

| | |
|----------------------|---------------------------------------------------------------|
| Door | 3 |
| Capacity Cu.Ft. | 30.8 |
| Shelves | 6 |
| Refrigerant | R-290 |
| Temperature Range | 33°F ~ 39°F |
| Easy Maintenance | Sliding Condensing Unit |
| Connection | 9.8 ft long (3m) flexible three wire cord with molded plug |
| HP | 3/8 |
| Voltage | 115V/60Hz |
| Amps | 3.5 |
| NEMA Config. | NEMA 5-15 |

Blueair by
BLUENIX

Blue Air has right to change specifications without further notice.



blueairfse.com



orders@blueairfse.com



223 W. Rosecrans Ave., CA 90248
T: 310-808-0102

9 W. Shelton Terrace #A, Hillside, NJ 07205
T: 470-625-0182

7025 Amwiler industrial Drive, Suite A, Atlanta GA
T: 908-688-0970