

## Template Assisted Crystallization Systems | TAC



# PREMIUM BEVERAGE QUALITY WITH EQUIPMENT PROTECTION

### Control lime scale on foodservice equipment with **Template-Assisted Crystallization (TAC) technology.**

Lime scale is one of the most significant maintenance problems for foodservice and commercial markets. For years, water softeners have been virtually the only means for treating hard water, but another method is available—Template-Assisted Crystallization (TAC) technology. The TAC system uses unique technology to convert the minerals that cause hardness into inactive, microscopic crystals. These crystals are relatively insoluble, effectively isolated from the water chemistry and anything that the water contacts.



#### **Cooking Equipment Maintenance**

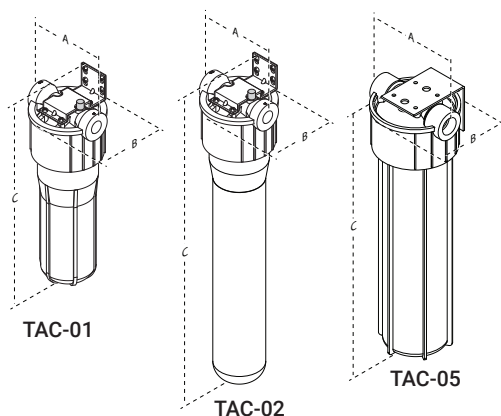
Scale-reducing technology reduces service need on equipment by decreasing lime scale



#### **Premium Quality Beverages**

Maintains good water minerals that provide benefits to customers' health while also creating high-quality drink

# Template Assisted Crystallization Systems | TAC



## Features:

- No chemicals added to ingredient water to assure no off tastes in drinks
- No cleaning needed - no water waste
- 5 second contact time regardless of hardness level
- Long-lasting media
- No salt or other regenerates required
- No control valve or electricity required

## TAC

## Dimensions

Model & Mfg. No.	Max. Flow Rate	Inlet	Outlet	Width	Depth	Height	Operating Weight	Shipping Weight
TAC-01 9700903	1 gpm (3.8 lpm)	3/4" FNPT	3/4" FNPT	5 1/2" (14 cm)	6 1/2" (16.5 cm)	15 1/2" (39.4 cm)	10 lbs. (4.5 kg)	8 lbs. (3.6 kg)
TAC-02 9700906	2 gpm (7.6 lpm)	3/4" FNPT	3/4" FNPT	5 1/2" (14 cm)	6 1/2" (16.5 cm)	26" (66 cm)	20 lbs. (9.1 kg)	12 lbs. (5.4 kg)
TAC-05 9700905	5 gpm (18.9 lpm)	1" FNPT	1" FNPT	7 1/2" (17.8 cm)	9" (22.9 cm)	22"* (55.9 cm)	20 lbs. (9.1 kg)	12 lbs. (5.4 kg)

Dimensions are for item without shipping box. Shipping weight includes item and shipping box. \* Height dimension with mounting bracket facing down.

## Replacement Cartridges

Name	Mfg. No.	For Use With
TAC-01 Cartridge	7000708	TAC-01
TAC-02 Cartridge	7000716	TAC-02
TAC-05 Cartridge	7000554	TAC-05

## Water Chemistry Specifications

pH	6.5 to 8.5
Temperature	41°F to 100°F (5°C to 38°C)
Chlorine	< 3 ppm
Iron	0.3 mg/l
Manganese	1.3 mg/l
Copper	1.3 mg/l
Oil & H2S	Remove prior to TAC

## Applications

### FOODSERVICE AND INSTITUTIONAL

- Coffee and Tea Brewers
- Steamers

### FOODSERVICE AND INSTITUTIONAL

- Hotels, Hospitals, Apartments, Restaurants, etc.
- RO Pretreatment
- Humidifiers, Evaporative Cooling
- Instantaneous or Tankless Water Heaters

Note: Flow-to-drain, blow-down valve, or self-cleaning procedure recommended for any equipment using hot water that follows a TAC system.