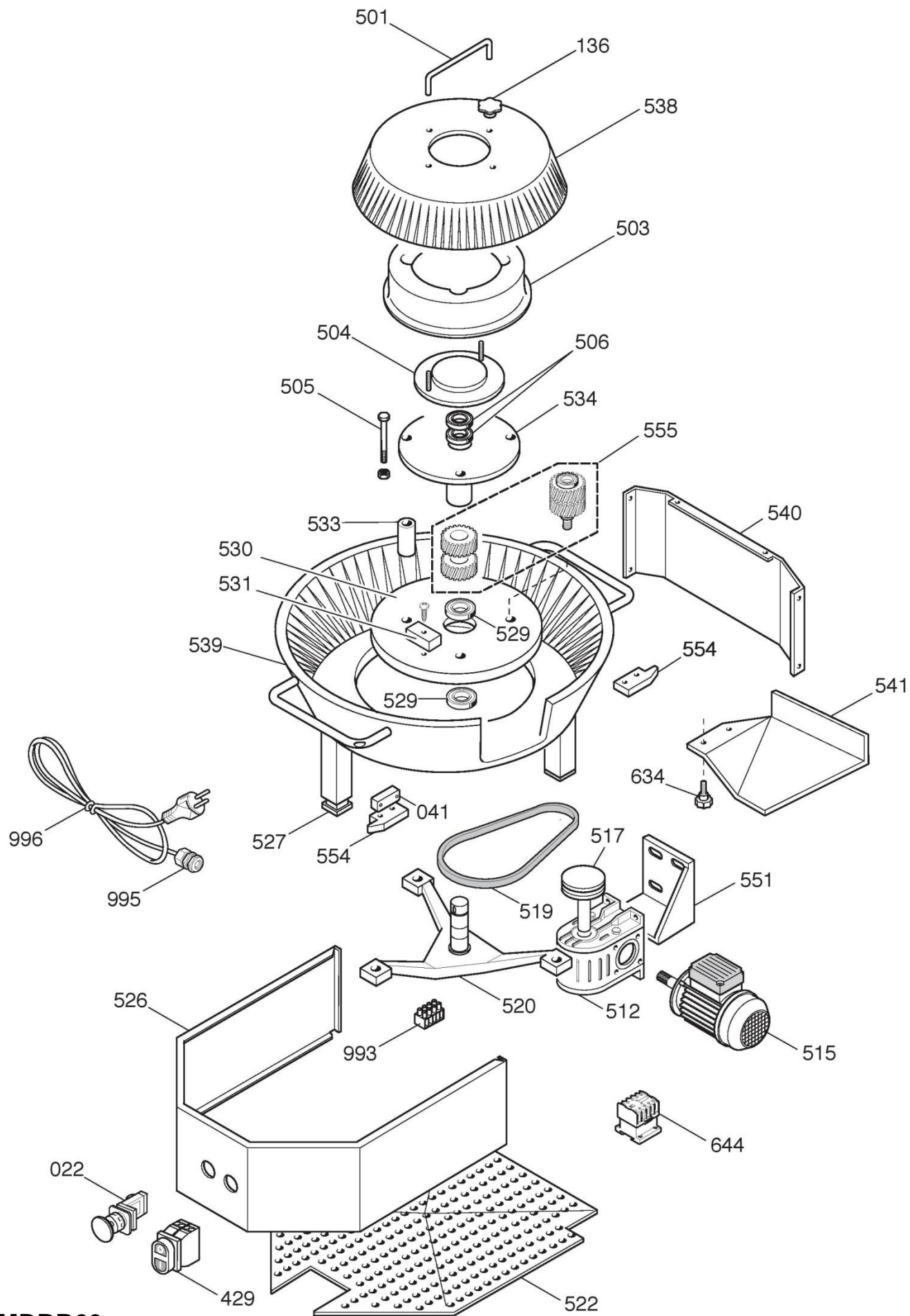




**BMDD005  
Dough Divider / Rounder Combo  
Parts Breakdown**



**BMDBR03**

REF.	DESCRIPTION:
003	SWITCH
022	EMERGENCY PUSHBUTTON
136	KNOB
501	HANDLE
503	GEARS PROTECTION COVER
504	COUNTERFLANGE
505	SCREW
506	BEARING
507	BEARING
508	GEAR
509	SHAFT
512	GEARBOX
514	SCREW
515	MOTOR
517	GEARBOX PULLEY
519	BELT
520	SUPPORT SPOKE
522	PROTECTION NET
523	LOWER GEAR
524	PROTECTION BOX
525	GASKET
526	FRONT PANEL
527	FOOT
529	BEARING
530	FLANGE
531	COUNTERWEIGHT
532	LOWER FIXED GEAR
533	FLANGE SPACER
534	CENTRAL CONE DRIVING FLANGE
537	CONE FLANGE GEAR
538	CENTRAL CONE
539	BASE
540	REAR PANEL
541	CHUTE
551	GEARBOX SUPPORT

993	TERMINAL BLOCK
995	STRAIN RELIEF
996	POWER SUPPLY CORD

