



YOU CAN TRUST

## POTATO PEELER

DB-6

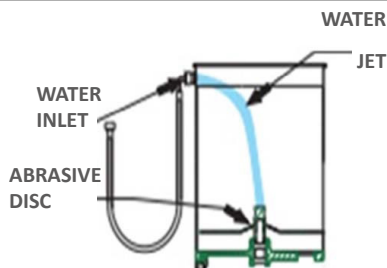


### STANDARD FEATURES

- Designed to peel 12 lb of potatoes at once and similar vegetables, like carrots, beet, radish and others as long as they are similar in size and shape.
- Rotating abrasive disc made of carbon steel sheet coated with non-toxic aluminum oxide and running water gently remove peels from potatoes and similar vegetables.
- Stainless steel housing and exit chute. Ensure durability and easy cleaning.
- Stainless steel hinged cover with inspection holes.
- DB-6 is equipped with a safety switch to stop motor when cover is lifted up.
- 7-minute timer allows for un-attended operation and prevent wastage of products.
- Processing time as little as 1:30 to 2 minutes.



**DB-6**  
POTATO PEELER



ILLUSTRATIVE PHOTO, ACTUAL PRODUCTS AND ACCESSORIES ARE SUBJECT TO CHANGE WITHOUT NOTICE.



**Skyfood Equipment LLC**  
175 SW 7th Street, Ste 2416  
Miami, FL 33130

**Toll Free:**  
1-800-503-7534  
sales@skyfood.us

[www.skyfood.us](http://www.skyfood.us)



Follow us to keep up to date with the latest news and offers

/SkyfoodEquipment

/SkyfoodEquipment

/SkyfoodEquipment



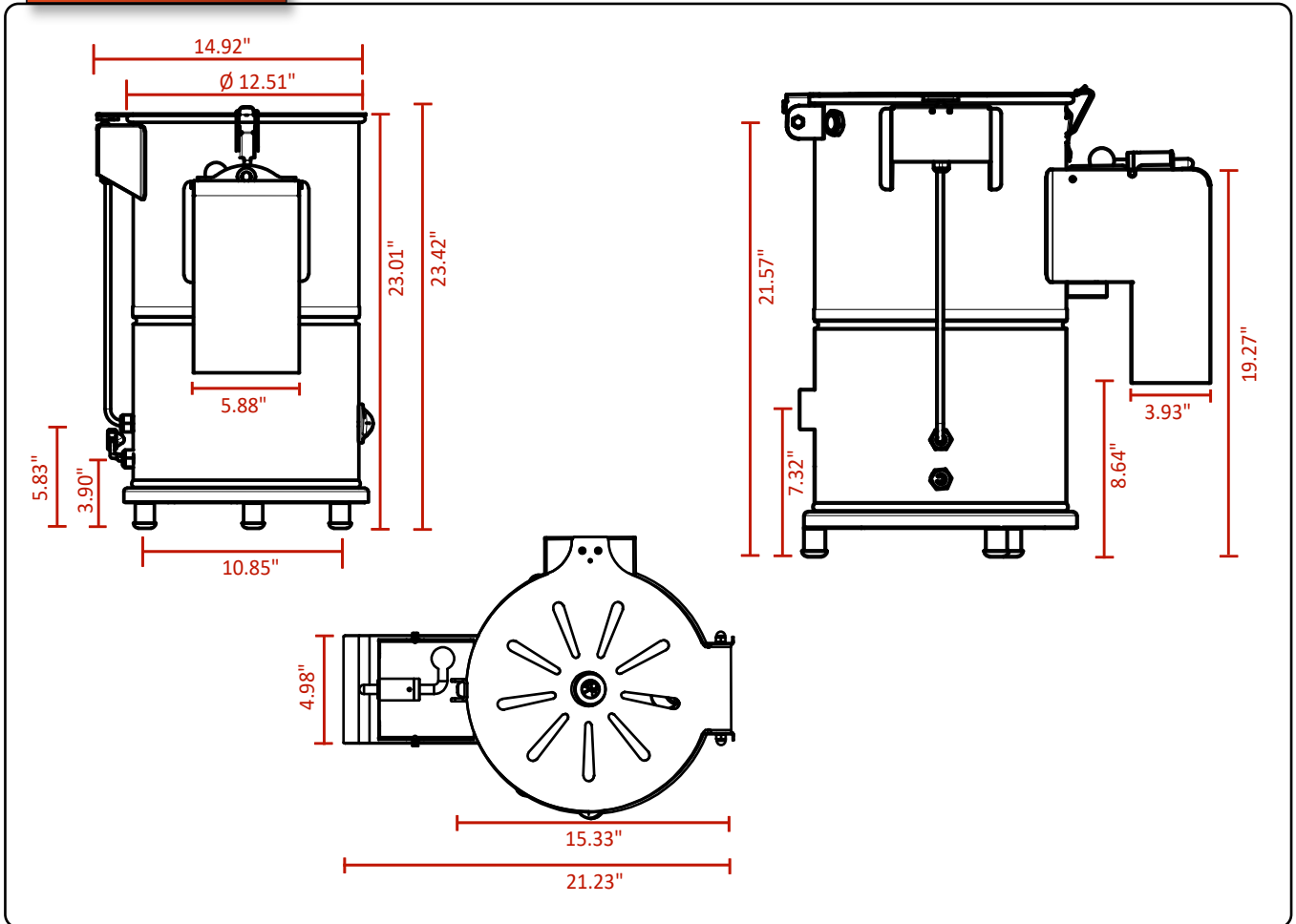
YOU CAN TRUST

# POTATO PEELERS

## DB-6



### DIMENSIONS



**CALIFORNIA RESIDENTS ONLY - WARNING:**  
Cancer and Reproductive Harm - [www.P65Warnings.ca.gov](http://www.P65Warnings.ca.gov)

**MADE IN BRAZIL**

**PLUG**  
NEMA 5-15P

**WARRANTY 01 YEAR PARTS AND LABOR VALID IN THE CONTINENTAL UNITED STATES.**

Item	Voltage	AMPS	Power Rating	Dimensions (W x D x H)	Weight (Net x Ship)	Tank Capacity	Production	PLUG
DB-6	110 V	6.3	1/4 HP	13 7/16" x 17" x 17"	36 lb x 53 lb	12 lb	159 lb/h approx.	NEMA 5-15P



**Skyfood Equipment LLC**  
175 SW 7th Street, Ste 2416  
Miami, FL 33130

**Toll Free:**  
1-800-503-7534  
sales@skyfood.us

[www.skyfood.us](http://www.skyfood.us)



Follow us to keep up to date with the latest news and offers

/SkyfoodEquipment

/SkyfoodEquipment

/SkyfoodEquipment

ILLUSTRATIVE PHOTO, ACTUAL PRODUCTS AND ACCESSORIES ARE SUBJECT TO CHANGE WITHOUT NOTICE.