



40" WIDE COUNTERTOP WARMER • PASS THROUGH • MADE IN USA

Model PGW-10



The Cadco PGW-10 pass & go countertop warmer features a reach-through design with a space-saving small footprint.

With independent top and bottom thermostat controls, holding temperatures can be fine tuned for optimal serving temperatures - perfect for grab & go items such as sandwiches and snacks.

With a wide-open design, the kitchen is able to load food products from the back, with the customers able to grab their desired food from the front.

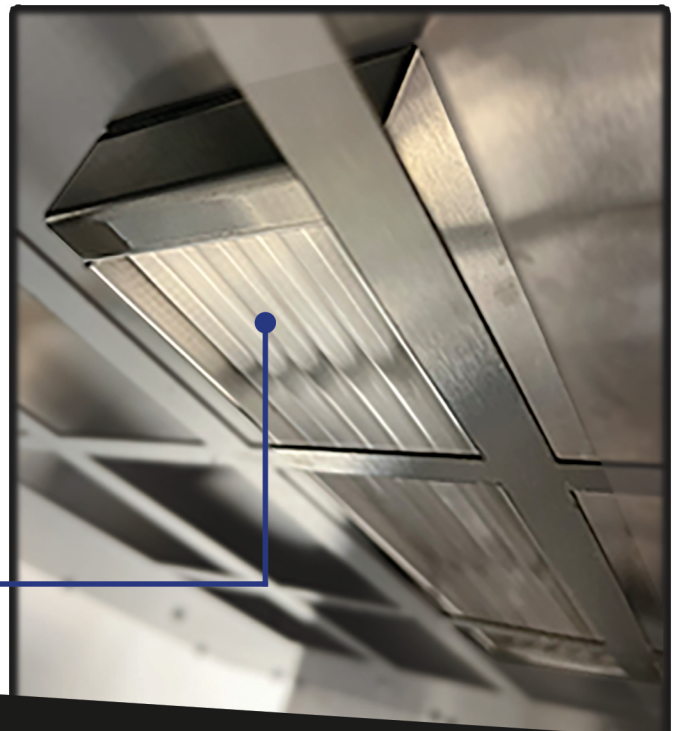
Cadco offers 3 different sizes of pass & go warmers, and all warmers can even be stacked, for maximum output with minimal footprint.

FEATURES

- 40" wide
- Infrared heating element
- Stainless steel construction
- Pass-through design
- Made in the U.S.A.
- Individual top & bottom heating controls
- 120v plug & play design
- Stackable for maximum output*



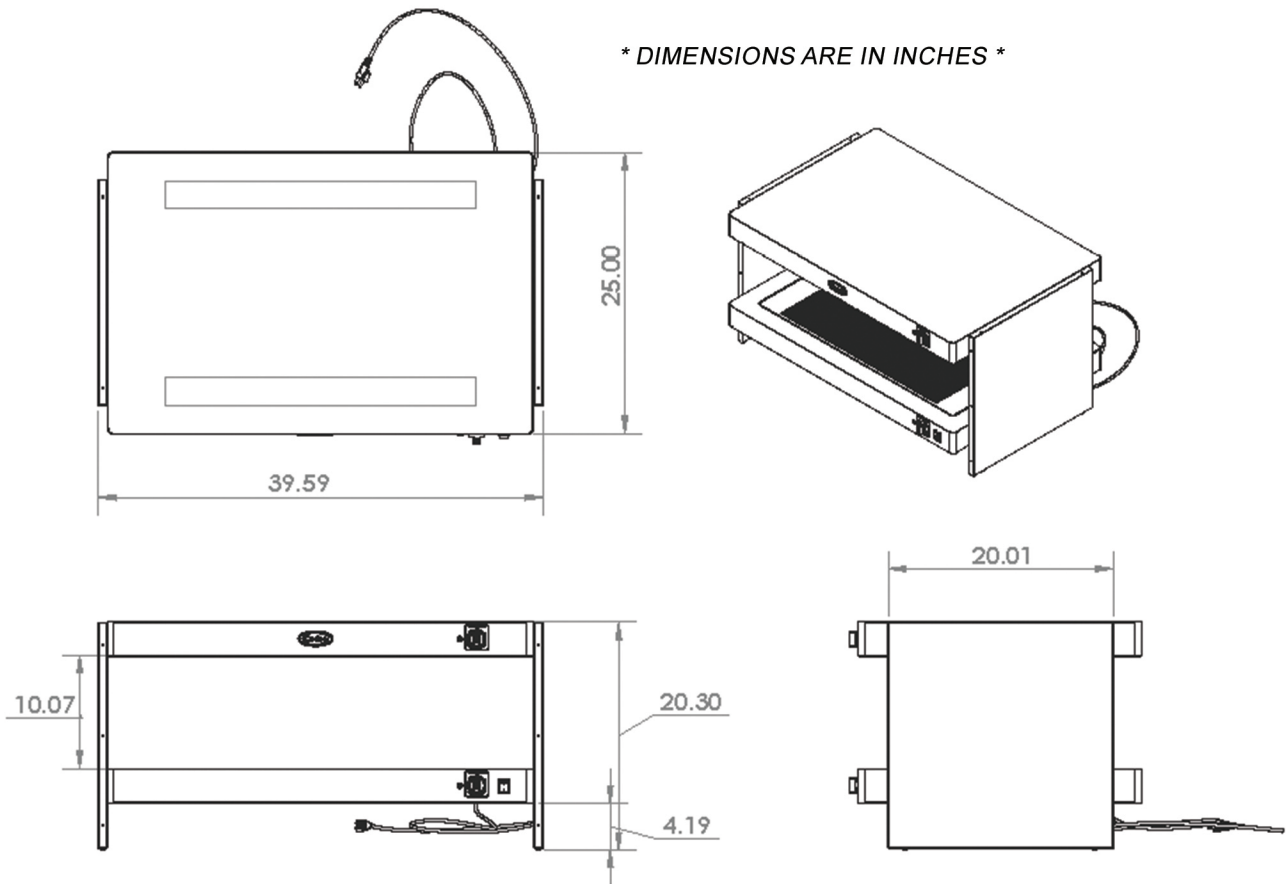
Top Infrared Element



WWW.CADCO-LTD.COM

200 International Way, Winsted CT 06098 • Phone: (860) 738-2500 • Fax: (860) 738-9772

DIMENSIONS



SPECIFICATIONS

Height	20.30"
Width	39.59"
Depth	25.00"
Weight	83.81lbs
Warming Surface	32.5" x 20"
Shipping Dims	48 x 40 x 26
Shipping Class	200
Shipping Weight	110 lbs

ELECTRICAL

Volts	120
Amps	10
Watts	1200
Plug	5-15p

