



Stainless Steel KNIFE RACKS FOR TABLES

Item #:	_____	Qty #:	_____
Model #:	_____		
Project #:	_____		



TA-84A
(For Bullnose Edge Tables)



TA-84B
(For Poly Tables)



TA-84C
(For Square Edge Tables)

FEATURES:

Stainless Steel, Heavy Duty Construction.
"2" Piece Design. Outer Knife Rack Easily Slips Onto Support Mounting Bracket.

CONSTRUCTION:

Die Formed Support Mounting Bracket.
Removable Plastic Slotted Knife Holder For Cleaning.

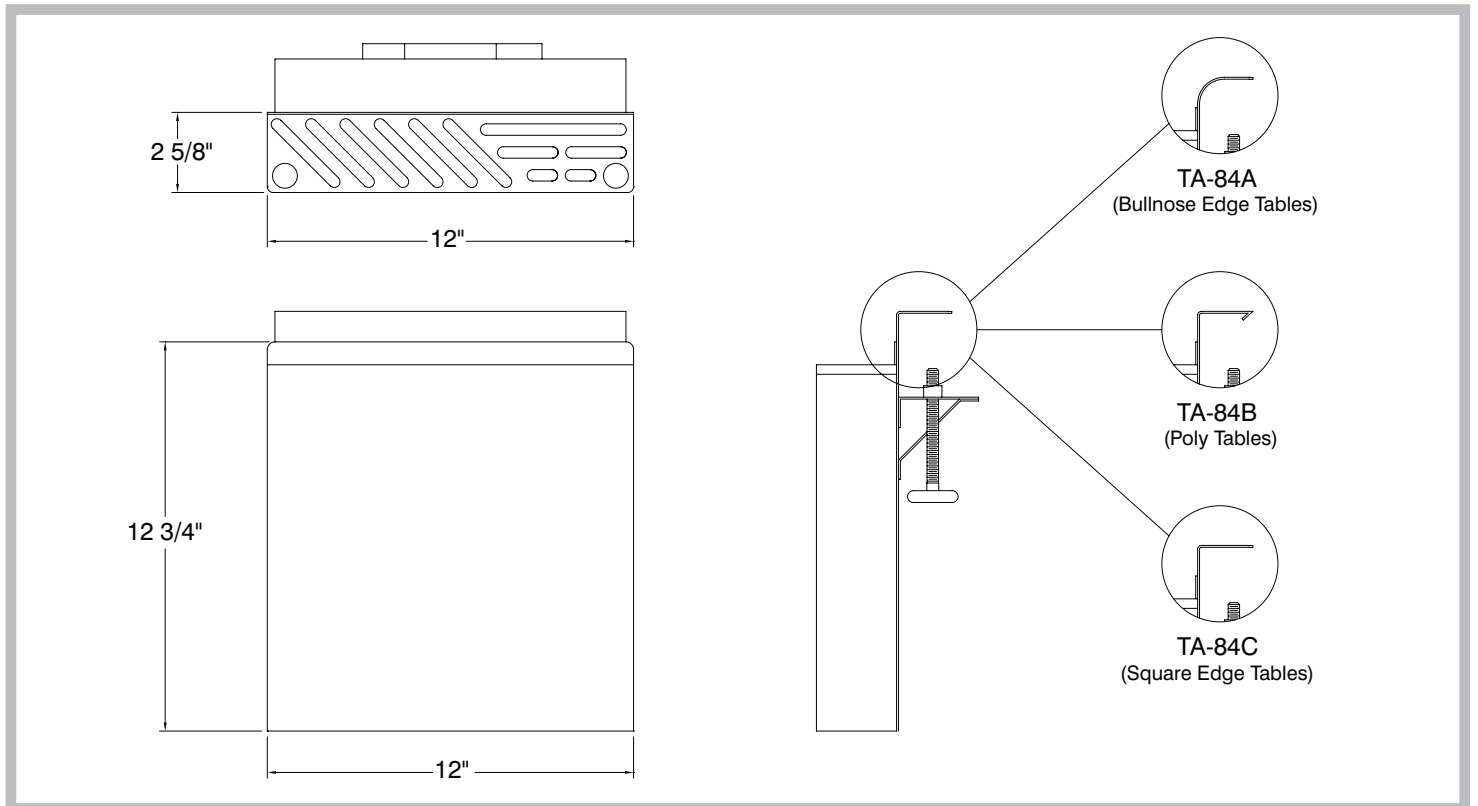
MATERIAL:

Knife Rack - 20 Ga., Type 300 Stainless Steel.
Support Mounting Bracket - 16 Ga., Type 300 Stainless Steel.

DETAILS and SPECIFICATIONS

TOL ± .500"

ALL DIMENSIONS ARE TYPICAL



Customer Service Available To Assist You **1-800-645-3166** 8:30 am - 8:00 pm E.S.T.

For Orders & Customer Service:
Email: customer@advancetabco.com or Fax: 631-242-6900

For Smart Fabrication™ Quotes:
Email: smartfab@advancetabco.com or Fax: 631-586-2933