



BEVERAGE-AIR

| | |
|-----------------|------|
| Project: _____ | AIA# |
| Item: _____ | |
| Location: _____ | SIS# |
| Approved: _____ | |

WTRD32AHC WORKTOP DRAWER REFRIGERATOR

WORKTOP REFRIGERATOR

WTRD32AHC Worktop With Drawers & Foamed-In Place Backsplash Hydrocarbon Series

MODEL:
WTRD32AHC-2-FIP



*Note: Shown with optional full electronic control

7 Year Parts/Labor Warranty
7 Year Compressor Warranty

CABINET CONSTRUCTION

- Stainless steel front, sides, drawers and grille (galvanized back & bottom)
- Interior liner is made of corrosion resistant aluminum
- Stainless steel worktop for added durability
- Foamed-in place backsplash
- Mechanical control
- Interior thermometer is standard
- Snap-in drawer gaskets
- Upper and lower pull-out drawers accommodate 6" deep pans
- Stainless steel drawer frames supported on telescoping drawer slides
- Drawer slides include locking mechanism that prevents drawer from being inadvertently pulled off cabinet
- 6" Casters, (2) with brakes standard

OPTIONS & ACCESSORIES

- Stainless steel back
- Stainless steel interior
- Full electronic control*
- Cutting board
- 3" Casters or 6" legs
- Low profile casters
- Remote option** (see note on back on page)

REFRIGERATION SYSTEM

- Uses environmentally friendly, energy efficient R290 refrigerant, and meets all regulatory requirements for CARB, SNAP, DOE & more
- Adaptive defrost
- Epoxy coated evaporator coil
- Refrigerators capable of maintaining product temperature between 36°F and 38°F



Please verify qualifying units by visiting:
www.energystar.gov/cfs

3779 Champion Blvd., Winston-Salem, NC 27105
1-888-845-9800 Fax: 1-336-245-6453
Beverage-Air.com Sales@bevair.com

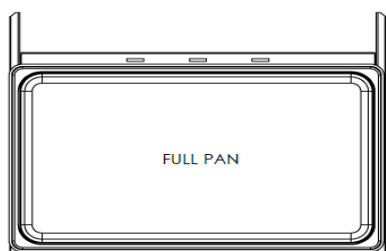


BEVERAGE-AIR

| MODEL | WTRD32AHC-2-FIP |
|------------------------------------|----------------------|
| EXTERNAL DIMENSIONAL DATA | |
| Width Overall | 32" |
| Depth Overall with Handle & Bumper | 32" |
| Height Overall with 6" Casters | 39 5/8" |
| Number of Drawers | 2 |
| Depth with Drawer Extended | 48" |
| Drawer Openings | (2) 27 5/8" x 9 3/8" |
| INTERNAL DIMENSIONAL DATA | |
| NET Capacity (cubic ft.) | 7.2 |
| Internal Width Overall (in) | 28" |
| Internal Depth Overall (in) | 17 1/4" |
| Internal Height Overall (in) | 23" |
| ELECTRICAL DATA | |
| Full Load Amperes | 2.0 |
| Voltage | 115/60/1 |
| Nema Plug (8' cord) | 5-15P |
| REFRIGERATION DATA | |
| Horsepower | 1/6 |
| Capacity (BTU/Hr) | 1110 |
| Heat Rejection (BTU/Hr) | 1665 |
| Charge (lbs/grams/ounces) | 0.1323 / 60 / 2.12 |
| SHIPPING DATA | |
| Gross Weight - Crated | 321 lbs |
| Height - Crated | 44" |
| Width - Crated | 33" |
| Depth - Crated | 33" |

**NOTE: Remote units are field wired and come with 6" legs. Refrigerant must be specified at time of order.

We reserve the right to change specifications and product design without notice. Such revisions do not entitle the buyer to corresponding changes, improvements, additions or replacements for previously purchased equipment. Dimensional tolerances +/- 1/4". Metric dimensions (MM).



Worktop Refrigerator With Drawers Model: WTRD32AHC-2-FIP

Model Views

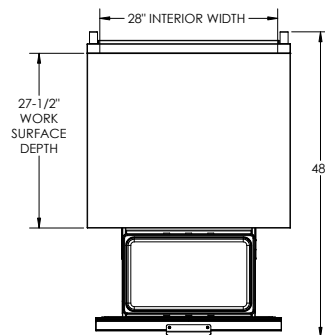
Required Clearance: 3" Bottom & 2" Rear

PLAN VIEW

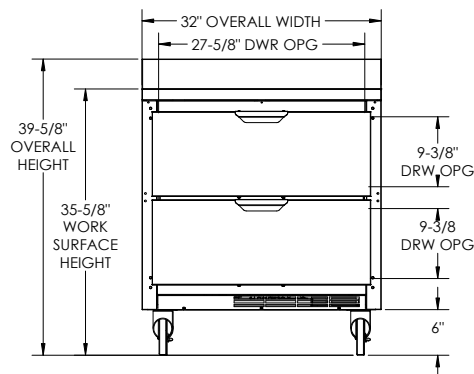
ELEVATION VIEW

SIDE VIEW

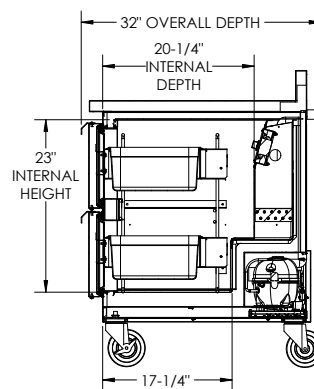
Required Clearance: 3" Bottom & 2" Rear



PLAN VIEW



ELEVATION VIEW



SIDE VIEW

ELECTRICAL CONNECTION



115/60/1
NEMA 5-15P

Unit pre-wired at factory and include 8' long cord and plug set.

